

INSTALLATION OF REAR MOUNTING KIT
2015 RAM 2500/3500 4x4
(6'4" Bed Crew Cab 149" WB ONLY)

SAFETY PRECAUTIONS

If any installation problems are encountered, please call G&B Specialties for technical assistance before continuing with the installation process.



- Failure to heed to any of the following warnings could result in severe bodily injury and/or equipment damage.
- Read and understand this manual completely before attempting installation of the equipment.
- Installation instructions provided below only address the Rafna Industries railgear equipment. Applicable railway company procedures and policies must be adhered to.
- Before performing any work under the vehicle or railgear, ensure the engine is turned off and the parking brake is set.
- Ensure all removed components are given to the vehicle owner after the installation of the railgear. These components must be re-installed if the railgear is removed from the vehicle.

INSTALLATION OF REAR MOUNTING KIT

The following procedure details the installation of the rear mounting kit. The hardware required for this installation is listed in table 1.

Rear Mounting Kit Installation Parts

| Part Number | Description | Qty |
|--------------|---|-----|
| R-31240A-D | Rear Mounting Bracket, Drivers Side (2500) | 1 |
| R-31240A-P | Rear Mounting Bracket, Passengers Side (2500) | 1 |
| R-31240D | Rear Mounting Bracket, Drivers Side (3500) | 1 |
| R-31240P | Rear Mounting Bracket, Passengers Side (3500) | 1 |
| R-31260L | Inner Support Bracket, Front LHS | 1 |
| R-31260R | Inner Support Bracket, Front RHS | 1 |
| R-31275L | Inner Support Bracket, Rear LHS | 1 |
| R-31275R | Inner Support Bracket, Rear RHS | 1 |
| R-2960 | Railgear Mounting Shim - ½" Thick | 4 |
| R-2960A | Railgear Mounting Shim - 1" Thick | 2 |
| R-2631 | Railgear Mounting Shim - 2" Thick | 2 |
| R-990KIT-375 | 1/2" UNC Gr. 8 Bolt x 1.75" Long | 6 |
| | 1/2" UNC Gr. 8 Bolt x 4.75" Long | 4 |
| | 1/2" Gr. 8 Washer | 20 |
| | 1/2" UNC Gr. 8 Nylon Insert Lock Nut | 10 |
| | 3/4" UNC Gr. 8 Bolt x 5.5" Long | 4 |
| | 3/4" Gr. 8 Washer | 8 |
| | 3/4" UNC Gr. 8 Nylon Insert Lock Nut | 4 |
| R-990KIT-304 | 3/4" UNC Gr. 8 Bolt x 3.50" Long | 4 |
| | 3/4" UNC Gr. 8 Bolt x 4.50" Long | 4 |
| | 3/4" UNC Gr. 8 Bolt x 5.50" Long | 4 |
| | 3/4" UNC Gr. 8 Bolt x 6.00" Long | 4 |
| | 3/4" UNC Gr. 8 Washer | 16 |
| | 3/4" UNC Gr. 8 Nylon Insert Locknut | 8 |

1. Remove the original spare tire, spare tire heat shield and spare tire carrier from under the vehicle's cargo box if so equipped. The original spare tire will not be re-installed.
2. Remove the rear bumper. Retain all fasteners for re-installation.
3. Remove the four bolts securing the tow hitch to the vehicle frame (2 per side). These bolts will not be reused. (figure 1)
4. Remove the two nuts from the inside of each tow hitch mounting bracket (2 per bracket). These nuts will not be reused. (figure 1)

5. Modify the tow hitch mounting brackets as shown. (figure 2)
6. Install the rear mounting bracket as shown using the supplied 3/4" and 1/2" hardware and support bracket as shown. Ensure the mounting bracket is flush with the outside and bottom surface of the frame rail. (figure 3 & 5)
7. Tighten, but do not torque fasteners at this time.
8. Using the holes in the rear mounting bracket as a guide, drill two 17/32" diameter holes thru the inside and outside frame rail. (figure 3 & 5)
9. Complete the installation of the rear mounting bracket using the supplied 1/2" hardware and support bracket. (figure 4)
10. Torque the 1/2" fasteners to 100 ft-lb dry and the 3/4" fasteners to 175 ft-lb dry. Do not over torque.

* The 1/2" hardware used to attach the rear mounting bracket to the frame is to be torqued to a maximum of 50 ft-lb dry. Do not over torque or damage to the frame may occur.*
11. Repeat steps 6 thru 10 for opposite side of vehicle

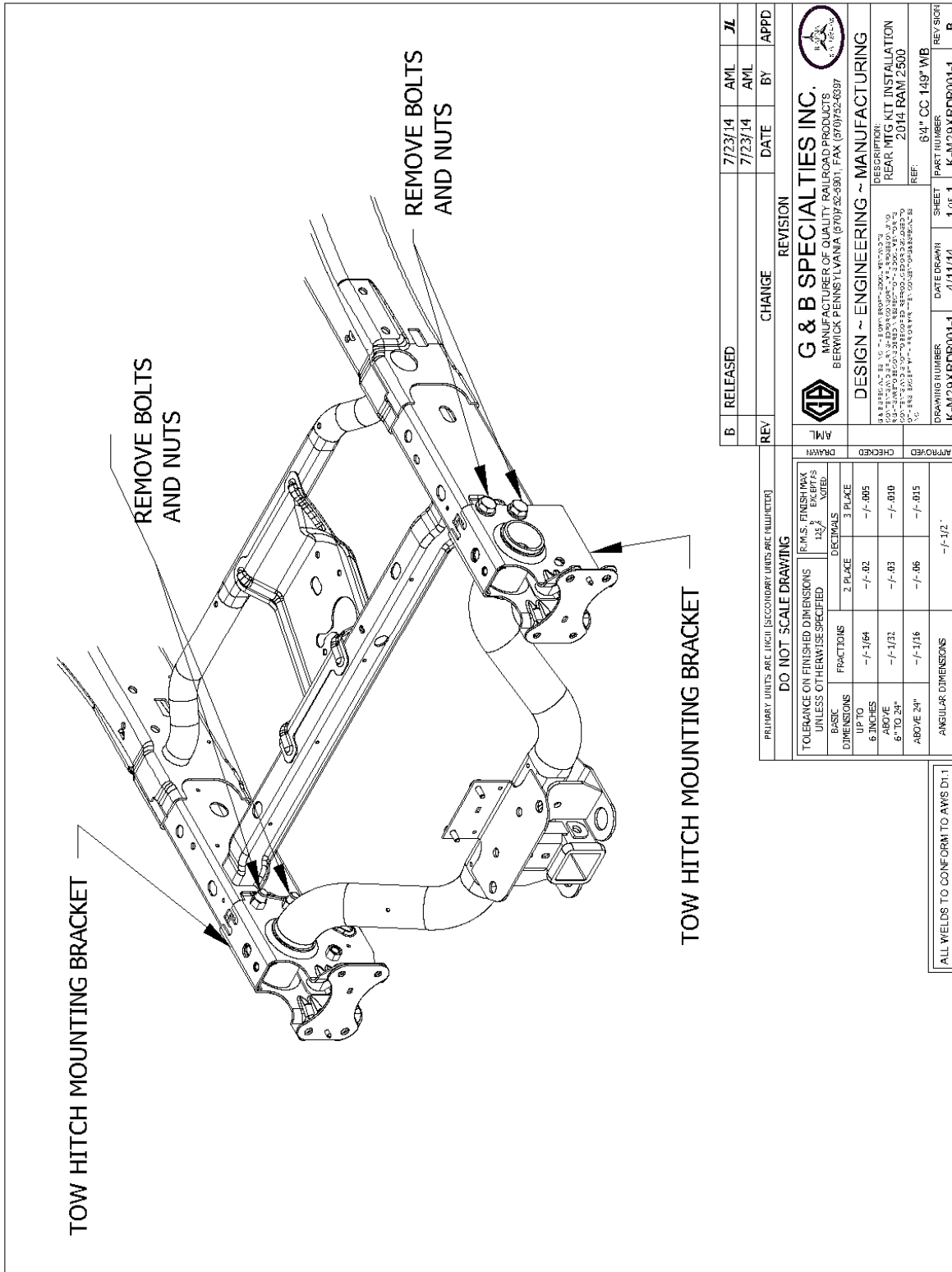


Figure 1 (2500/3500)

| | | | | |
|----------|---|---------|---------|------|
| B | RELEASED | 7/23/14 | AML | JL |
| REV | CHANGE | DATE | BY | APPD |
| AML | G & B SPECIALTIES INC. MANUFACTURER OF QUALITY RAILROAD PRODUCTS BERWICK PENNSYLVANIA (707) 752-6397 | | | |
| DESIGN | DESIGN ~ ENGINEERING ~ MANUFACTURING | | | |
| CHECKED | DESCRIPTION: REAR MTG KIT INSTALLATION 2014 RAM 2500 | | | |
| APPROVED | REF: 64" CC 149" WB PART NUMBER K-M29XRDR001-1 | | | |
| | DATE DRAWN | SHEET | REV/SCH | |
| | 4/11/14 | 1 OF 1 | B | |

PRIMARY UNITS ARE INCH (SECONDARY UNITS ARE MILLIMETER)

DO NOT SCALE DRAWING

| | | |
|---|------------|----------|
| TOLERANCE ON FINISHED DIMENSIONS UNLESS OTHERWISE SPECIFIED | FRACCTIONS | DECIMALS |
| | 2 PLACE | 3 PLACE |
| BASIC DIMENSIONS | | |
| UP TO 6 INCHES | -f-1/64 | -f-.005 |
| 6" TO 24" | -f-1/32 | -f-.010 |
| ABOVE 24" | -f-1/16 | -f-.015 |
| ANGULAR DIMENSIONS | -f-1/2° | |

ALL WELDS TO CONFORM TO AWS D1.1

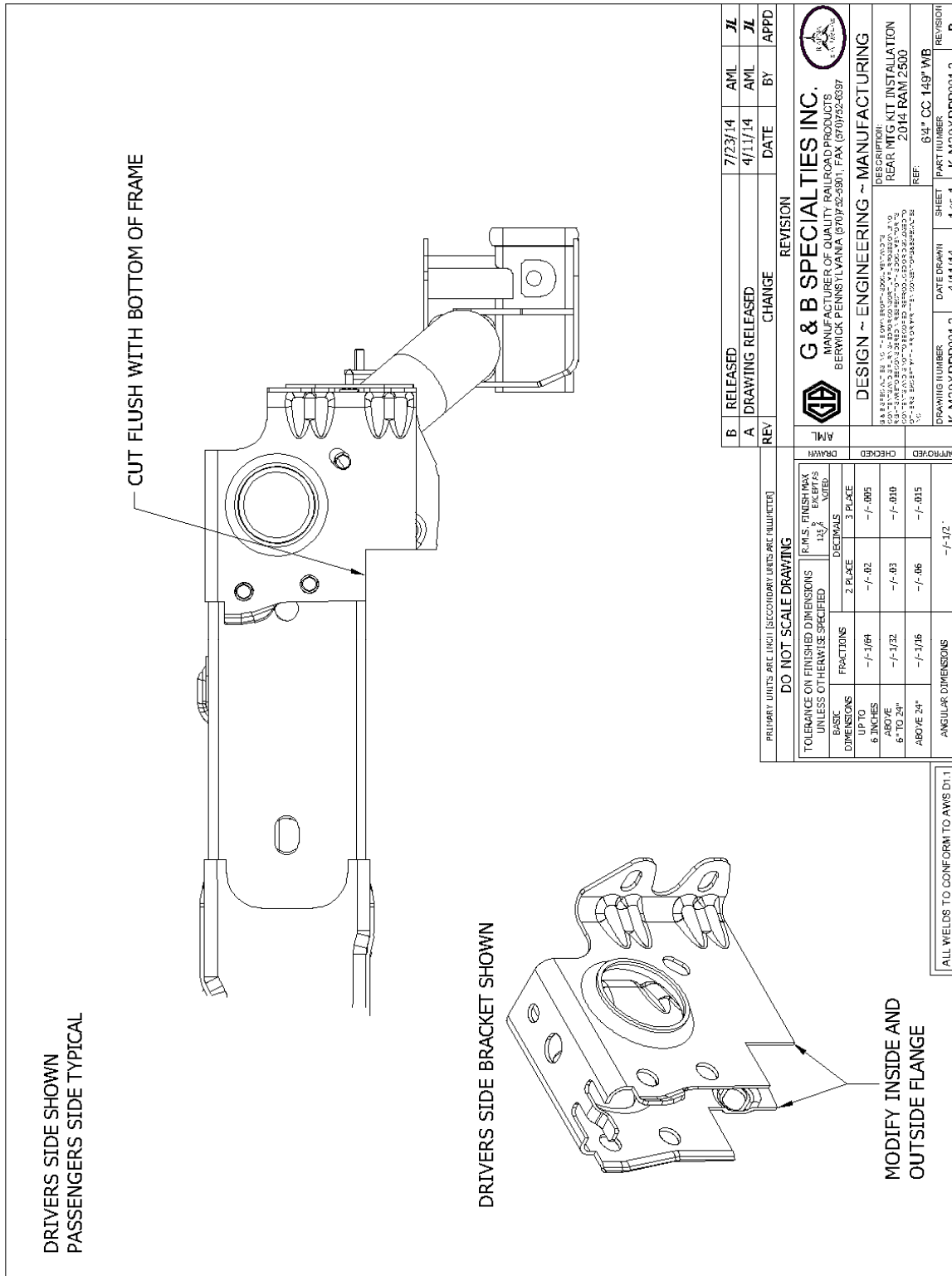


Figure 2 (2500/3500)

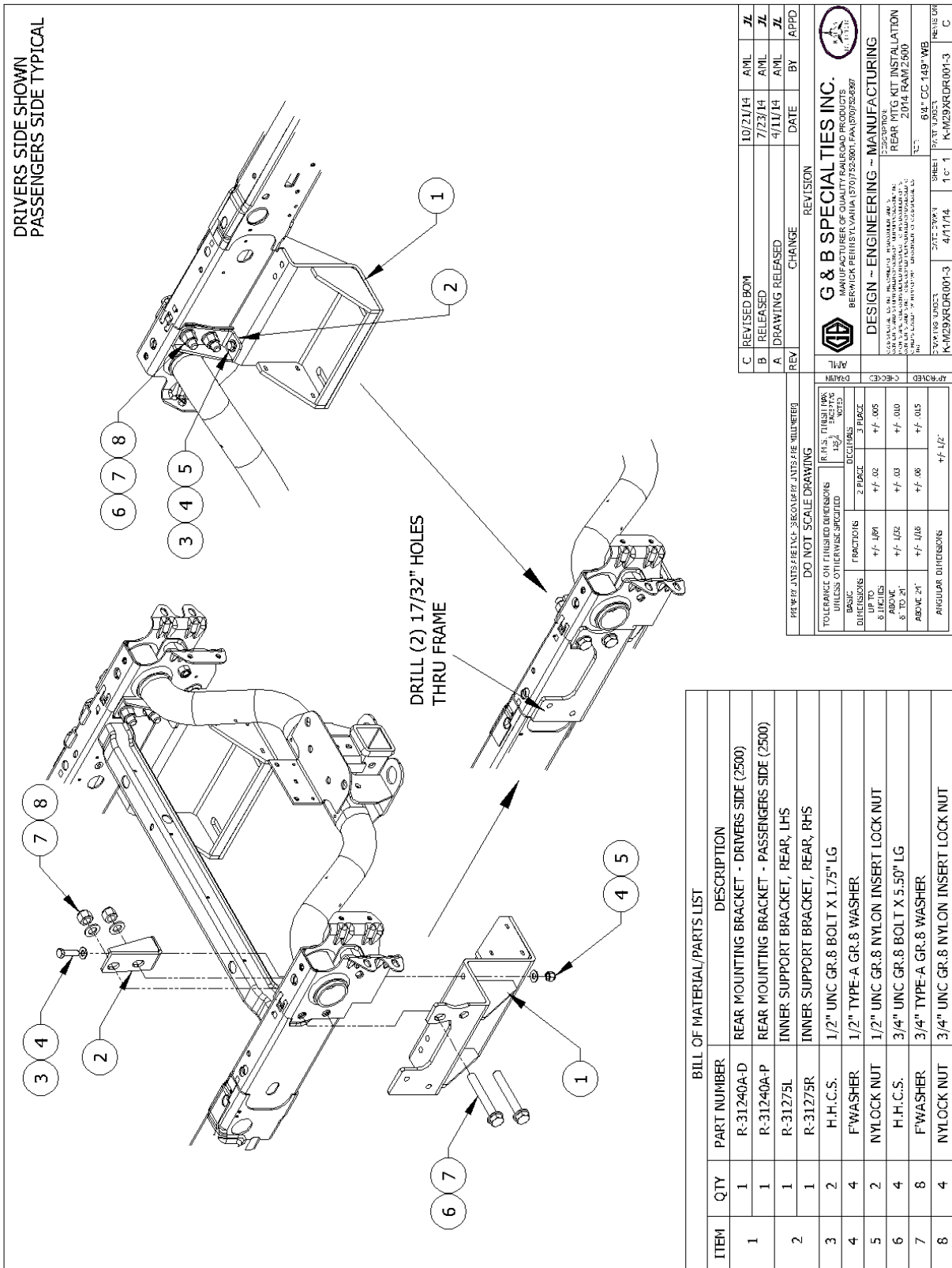



Figure 3 (2500)

| REV | CHANGE | DATE | BY | APPD |
|-----|------------------|----------|-----|------|
| C | REVISED BOM | 10/21/14 | AML | JL |
| B | RELEASED | 7/23/14 | AML | JL |
| A | DRAWING RELEASED | 4/11/14 | AML | JL |

| REV | CHANGE | DATE | BY | APPD |
|-----|--------|------|----|------|
| | | | | |

| REV | CHANGE | DATE | BY | APPD |
|-----|--------|------|----|------|
| | | | | |

| | | | |
|--|----------------------|--|---------------|
|  G & B SPECIALTIES INC. MANUFACTURER OF QUALITY RAILROAD PRODUCTS BERWICK PENNSYLVANIA (717) 752-5901 FAX (717) 752-6397 | | DESIGN ~ ENGINEERING ~ MANUFACTURING REAR MTG KIT INSTALLATION 2014 RAMP/2500 2500/2500/2500 604" CC 140" WB REAR MTG KIT INSTALLATION 2014 RAMP/2500 | |
| 2014 RAMP/2500 K-M29XRDR001-3 | DATE 2014 4/11/14 | SHEET 1 of 1 | REVISION C |

| DO NOT SCALE DRAWING | | | |
|----------------------|-------|------------|-------|
| PREV. ANTS. FEEL | SCALE | ANTS. FEEL | SCALE |
| | | | |

| TOLERANCE ON FINISHED DIMENSIONS UNLESS OTHERWISE SPECIFIED | FRACTIONS | DECIMALS | NOTES |
|---|-----------|-----------|-------|
| UP TO .125" | +/- .005 | +/- .005 | |
| .125" TO .250" | +/- .003 | +/- .003 | |
| .250" TO .500" | +/- .002 | +/- .002 | |
| .500" TO 1.000" | +/- .0015 | +/- .0015 | |
| ANGULAR DIMENSIONS | +/- .12° | | |

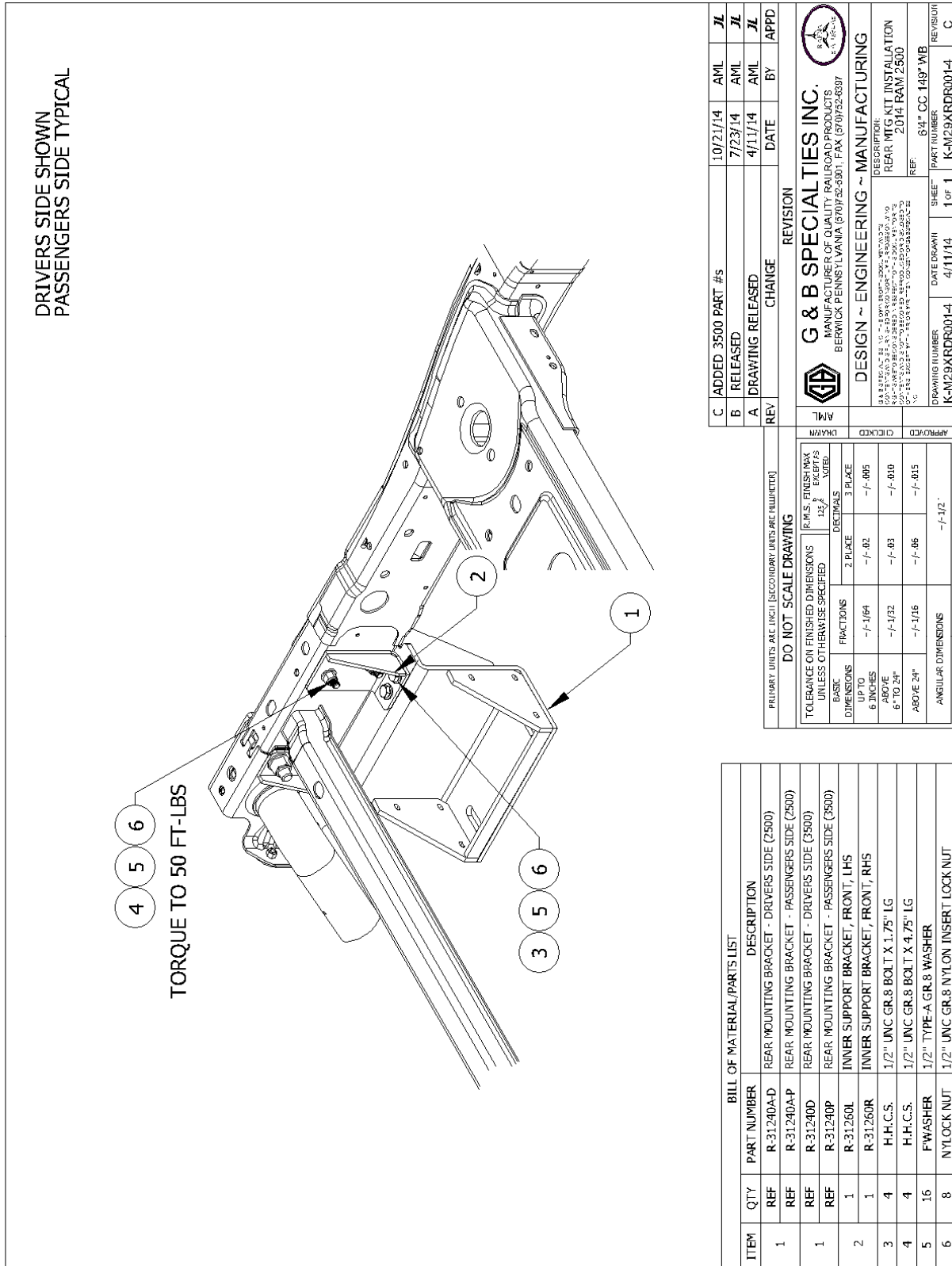


Figure 4 (2500/3500)

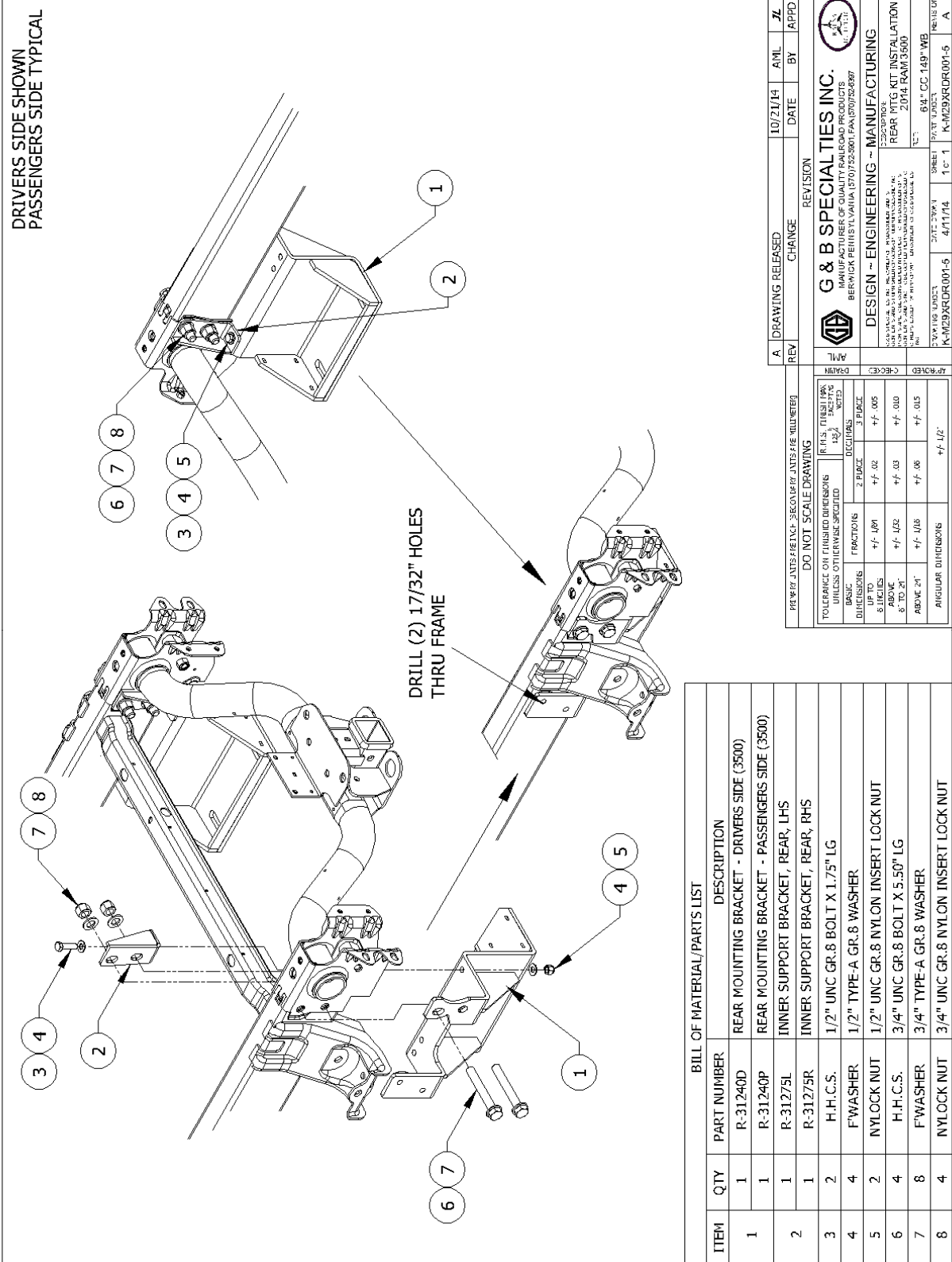


Figure 5 (3500)

OPERATION & SERVICE OF REAR MOUNTING KIT

SAFETY PRECAUTIONS

If any operating, services or parts problems are encountered, please call G&B Specialties for technical assistance.



- Failure to heed to any of the following warnings could result in severe bodily injury and/or equipment damage.
- Read and understand this manual completely before attempting operation of the railgear equipped vehicle.
- Operating instructions provided below only address the Rafna Industries railgear equipment. Applicable railway company procedures and policies must be adhered to.
- Railway Company rules governing rail travel must be observed at all times.
- Before performing any work under the vehicle or railgear, ensure the engine is turned off and the parking brake is set.
- Never operate the vehicle if the Gross Vehicle Weight Rating (GVWR), Gross Axle Weight Rating Front or Rear (GAWR), or the wheel or tire load ratings are exceeded.

OPERATION OF REAR MOUNTING KIT

With the rear mounting kit installed on this vehicle, it may be operated as normal. Never operate the vehicle if the Gross Vehicle Weight Rating (GVWR), Gross Axle Weight Rating Front or Rear (GAWR), or the wheel or tire load ratings are exceeded.

SERVICE OF REAR MOUNTING KIT

The rear mounting kit must be serviced regularly to avoid damage to the equipment. Table 1 below provides the Recommended Service Schedule and Table 2 provides Standard Fastener Torque Values.

Table 1: Recommended Service Schedule

| Service Required | Initial 100 km (62 Miles) of road and/or rail | Daily | Weekly | Monthly |
|---|---|-------|--------|---------|
| Inspect rear mounting kit fasteners (re-torque if required) | | ✓ | | |

Table 2: Standard Fastener Torque Values

| Fastener Size | Fastener Torque Value (ft-lbs) Dry |
|--------------------------|------------------------------------|
| 1" UNC Gr. 8 Fasteners | 250 |
| 3/4" UNC Gr. 8 Fasteners | 175 |
| 5/8" UNC Gr. 8 Fasteners | 150 |
| 1/2" UNC Gr. 8 Fasteners | 100 |
| 3/8" UNC Gr. 8 Fasteners | 40 |
| 1/4" UNC Gr. 8 Fasteners | 12 |