



**OPERATION, SERVICE & PARTS
OF REAR MOUNTING KIT
FOR USE WITH OR WITHOUT OEM TOW HITCH
2008 FORD F-250/350 4X2/4X4**

SAFETY PRECAUTIONS

If any operating, services or parts problems are encountered, please call G&B Specialties for technical assistance.



- Failure to heed to any of the following warnings could result in severe bodily injury and/or equipment damage.
- Read and understand this manual completely before attempting operation of the railgear equipped vehicle.
- Operating instructions provided below only address the Rafna Industries railgear equipment. Applicable railway company procedures and policies must be adhered to.
- Railway company rules governing rail travel must be observed at all times.
- Before performing any work under the vehicle or railgear, ensure the engine is turned off and the parking brake is set.
- Never operate the vehicle if the Gross Vehicle Weight Rating (GVWR), Gross Axle Weight Rating Front or Rear (GAWR), or the wheel or tire load ratings are exceeded.



OPERATION OF REAR MOUNTING KIT

With the rear mounting kit installed on this vehicle, it may be operated as normal. Never operate the vehicle if the Gross Vehicle Weight Rating (GVWR), Gross Axle Weight Rating Front or Rear (GAWR), or the wheel or tire load ratings are exceeded.

SERVICE OF REAR MOUNTING KIT

The rear mounting kit must be serviced regularly to avoid damage to the equipment. Table 1 below provides the Recommended Service Schedule and Table 2 provides Standard Fastener Torque Values.

Table 1: Recommended Service Schedule

Service Required	Initial 100 km (62 Miles) of road and/or rail use	Daily	Weekly	Monthly
Inspect rear mounting kit fasteners (re-torque if required)		✓	✓	✓

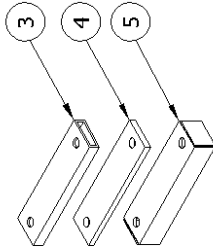
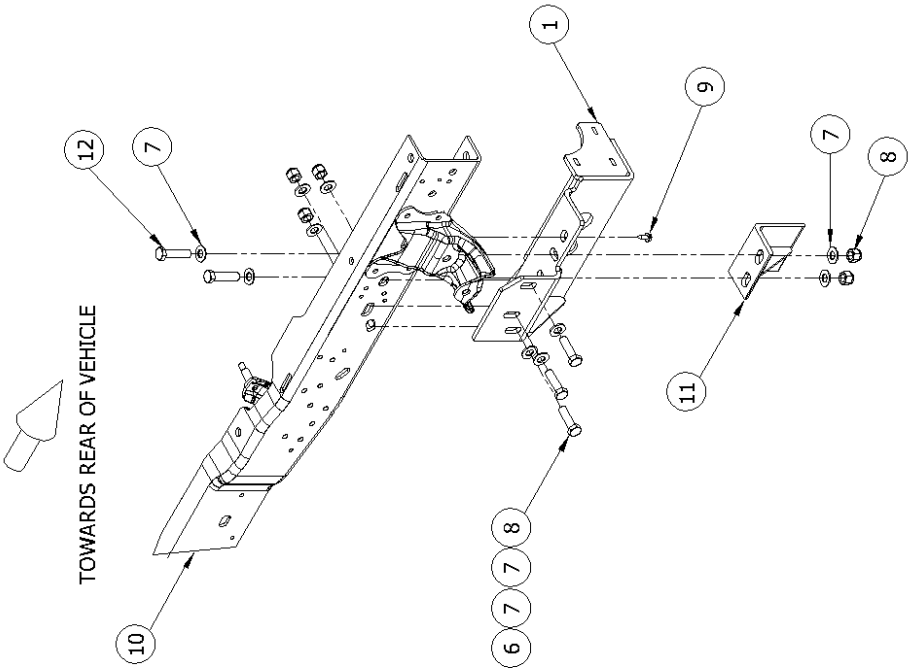
Table 2: Standard Fastener Torque Values

Fastener Size	Fastener Torque Value (ft-lbs) Dry
1" UNC Gr. 8 Fasteners	250
3/4" UNC Gr. 8 Fasteners	175
5/8" UNC Gr. 8 Fasteners	150
1/2" UNC Gr. 8 Fasteners	100
3/8" UNC Gr. 8 Fasteners	40
1/4" UNC Gr. 8 Fasteners	12



PARTS OF REAR MOUNTING KIT

ITEM	PART No.	DESCRIPTION OF ITEM(PART)	QTY.
1	P-00084D	REAR MOUNTING BRACKET, DRIVERS SIDE	1
2	P-00084P	REAR MOUNTING BRACKET, PASSENGERS SIDE	1
3	R-2960	RAILGEAR MOUNTING SHIM, 1/2" (USE AS REQ'D)	4
4	R-2960A	RAILGEAR MOUNTING SHIM, 1" (USE AS REQ'D)	2
5	R-2631	RAILGEAR MOUNTING SHIM, 2" (USE AS REQ'D)	2
6	-	5/8" UNC GR.8 BOLT x 2.25" Lg.	6
7	-	5/8" GR.8 FLAT WASHER	20
8	-	5/8" UNC GR.8 NYLON INSERT LOCK NUT	10
9	(REF)	OEM FASTENER (VAPOR CANISTER BRKT)	-
10	(REF)	VEHICLE FRAME	-
11	P-00083	SUPPORT BRACKET	2
12	-	5/8" UNC GR.8 BOLT x 2.50" Lg.	4

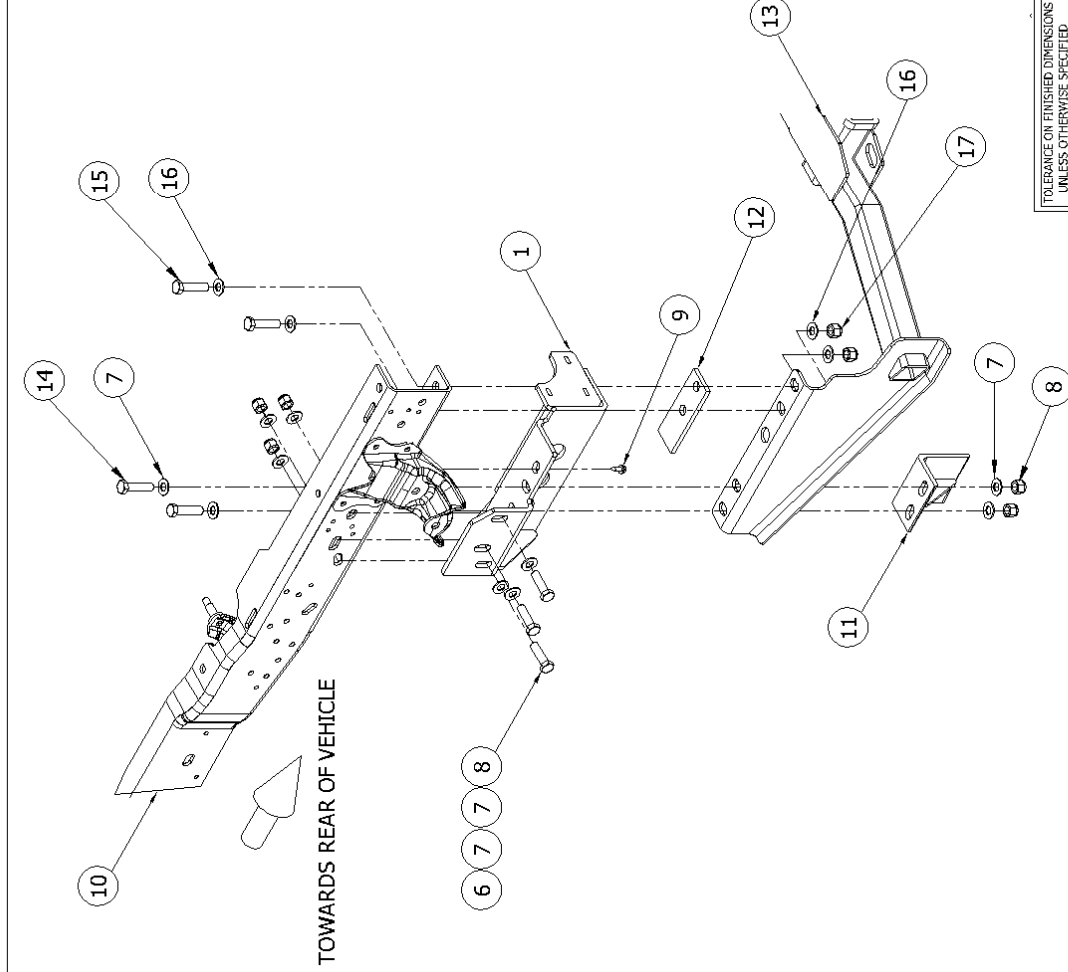


G & B SPECIALTIES INC. 6000 W. MARKET STREET, SUITE 100, BERWICK, PA 17604 TEL: (570) 752-5901 FAX: (570) 752-6397		DESIGN ~ ENGINEERING ~ MANUFACTURING TO BE CONSULTED IN REFERENCE TO THIS DOCUMENT WITHOUT OEM TOW HITCH REAR MOUNTING KIT PART NUMBER: 2008 FORD F-250/350, 432/444 SHEET: 1 OF 2 DATE DRAWN: 5/12/10 DATE CHECKED: 5/12/10 DATE RELEASED: 5/12/10 DRAWING RELEASED CHANGE: 1	
TOLERANCE ON FINISHED DIMENSIONS UNLESS OTHERWISE SPECIFIED DIMENSION FRACTIONS DECIMALS UP TO 6 INCHES : 1/64 : .02 ABOVE 6 TO 24 INCHES : 1/32 : .03 ABOVE 24 INCHES : 1/16 : .06 ANGULAR DIMENSIONS : ±.12°		EQUALS FINISH HRA 125 & HRC 25 DECIMALS 3 PLACE : .005 : .010 : .015 : ±.12°	



MO-R29RRXFX01A (Rev. A)

ITEM	PART No.	DESCRIPTION OF ITEM(PART)	QTY.
1	P-00084D	REAR MOUNTING BRACKET, DRIVERS SIDE	1
2	P-00084P	REAR MOUNTING BRACKET, PASSENGERS SIDE	1
3	R-2960	RAILGEAR MOUNTING SHIM, 1/2" (USE AS REQ'D)	4
4	R-2960A	RAILGEAR MOUNTING SHIM, 1" (USE AS REQ'D)	2
5	R-2631	RAILGEAR MOUNTING SHIM, 2" (USE AS REQ'D)	2
6	-	5/8" UNC GR.8 BOLT x 2.25" Lg.	10
7	-	5/8" GR.8 FLAT WASHER	20
8	-	5/8" UNC GR.8 N/LOX INSERT LOCK NUT	10
9	(REF)	OEM FASTENER (VAPOR CANISTER BRKT)	-
10	(REF)	VEHICLE FRAME	-
11	P-00083	SUPPORT BRACKET	2
12	P-00085	SHIM	2
13	(REF)	OEM TOW HITCH	-
14	-	5/8" UNC GR.8 BOLT x 2.50" Lg.	4
15	-	3/4" UNC GR.8 BOLT x 2.50" Lg.	4
16	-	3/4" GR.8 FLAT WASHER	8
17	-	3/4" UNC GR.8 N/LOX INSERT LOCK NUT	4



		G & B SPECIALTIES INC. <small>MANUFACTURING CO. PA. ALLY RAILROAD PRODUCTS</small> <small>BERWICK PENNSYLVANIA (570) 752-5901 FAX (570) 752-6397</small>	
		DESIGN ~ ENGINEERING ~ MANUFACTURING	
<small>FOR THE RAILROAD INDUSTRY, WE DESIGN, ENGINEER, MANUFACTURE AND DELIVER THE MOST ADVANCED RAILGEAR PRODUCTS AND SERVICES. OUR PRODUCTS ARE USED ON ALL RAILROADS AND ARE THE MOST RELIABLE AND DURABLE AVAILABLE. WE ARE A ISO 9001 REGISTERED COMPANY. ALL DIMENSIONS ARE IN INCHES UNLESS OTHERWISE SPECIFIED. DIMENSIONS IN PARENTHESES ARE FOR REFERENCE ONLY. DIMENSIONS IN PARENTHESES ARE FOR REFERENCE ONLY. DIMENSIONS IN PARENTHESES ARE FOR REFERENCE ONLY. DIMENSIONS IN PARENTHESES ARE FOR REFERENCE ONLY.</small>		REAR MOUNTING KIT WITH OEM TOW HITCH	
<small>TOLERANCE ON FINISHED DIMENSIONS UNLESS OTHERWISE SPECIFIED</small>	<small>DECIMALS</small>	<small>FRACTIONS</small>	<small>3 PLACE</small>
<small>UP TO 6 TOLERANCES</small>	<small>: .02</small>	<small>: 1/64</small>	<small>: .005</small>
<small>ABOVE 6 TOLERANCES</small>	<small>: .03</small>	<small>: 1/32</small>	<small>: .010</small>
<small>ABOVE 24</small>	<small>: .06</small>	<small>: 1/16</small>	<small>: .015</small>
<small>ANGULAR DIMENSIONS</small>	<small>: .1/2°</small>		

REVISION	DATE	BY	APPD
A	5/12/10	AML	APPD
CHANGE			