



OPERATION, SERVICE AND PARTS OF STEERING WHEEL LOCK

SAFETY PRECAUTIONS

If any operating, services or parts problems are encountered, please call G&B Specialties, Inc. for technical assistance.



- **Failure to heed to any of the following warnings could result in severe bodily injury and/or equipment damage.**
- **Read and understand this manual completely before attempting operation of the railgear equipped vehicle.**
- **Operating instructions provided below only address the RAFNA railgear equipment. Applicable railway company procedures and policies must be adhered to.**
- **Railway company rules governing rail travel must be observed at all times.**
- **At level rail crossings, ensure that no other vehicles are approaching and flag the crossing to ensure safety. This vehicle will not operate crossing signals. Use caution when approaching and traversing level crossings.**
- **The steering wheel lock must be engaged at all times while on rail.**



OPERATION OF STEERING WHEEL LOCK

The following procedure details the steering wheel lock operation.

1. Placing The Vehicle On The Track:
 - a) Engage the steering wheel lock after both the front and rear railgear are fully deployed and prior to rail travel.
 - b) Turn the steering wheel until the front tires point straight ahead.
 - c) Position the patch portion of the steering wheel lock onto the adhesive back strips affixed to the steering wheel and steering column cover. Press firmly into place. When installed on the adhesive back strips the patch should restrict the steering wheel from turning.

2. Traveling On Rail:
 - a) The steering wheel lock must be engaged at all times while on rail.

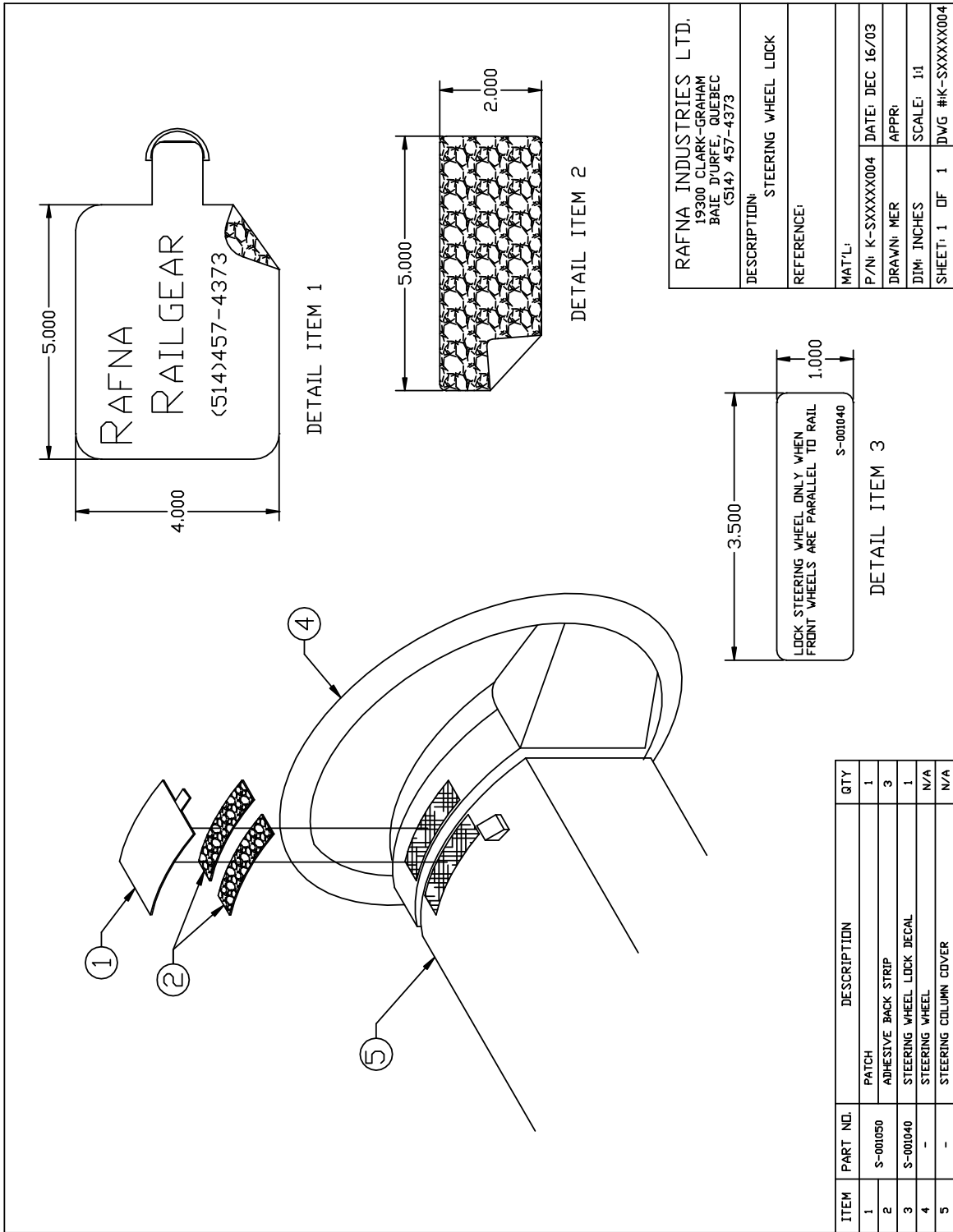
3. Removing The Vehicle From The Track:
 - a) Disengage the steering wheel lock after both the front and rear Railgear are fully retracted in the road position and prior to road travel.
 - b) Firmly grasp the steering wheel lock patch's d-ring and peel it off the adhesive back strips.
 - c) Store the patch on the adhesive back strip which serves as the holder located on the dash.

SERVICE OF STEERING WHEEL LOCK

Take care when removing the Patch. Due to certain plasticizers in the steering wheel steering column cover and dash, along with the vehicle's operating environment, the adhesive back strips may peel off and be removed. If the adhesive back strips do peel off, replace the strips with new ones at the earliest convenience.



Parts of Steering Wheel Lock



RAFNA INDUSTRIES LTD. 19300 CLARK-GRAHAM BAIE D'URFE, QUEBEC (514) 457-4373	
DESCRIPTION:	STEERING WHEEL LOCK
REFERENCE:	
MAT'L:	
P/NI K-SXXXXX004	DATE: DEC 16/03
DRAWN: MER	APPR:
DIM: INCHES	SCALE: 1:1
SHEET: 1 OF 1	DWG #K-SXXXXX004

ITEM	PART NO.	DESCRIPTION	QTY
1	S-001050	PATCH	1
2	S-001050	ADHESIVE BACK STRIP	3
3	S-001040	STEERING WHEEL LOCK DECAL	1
4	-	STEERING WHEEL	N/A
5	-	STEERING COLUMN COVER	N/A