



OPERATION, SERVICE AND PARTS OF ROAD WHEELS AND TIRES 2001-2009 FORD E-250/350

SAFETY PRECAUTIONS

If any operating, services or parts problems are encountered, please call G&B Specialties Inc. for technical assistance.



- Failure to heed to any of the following warnings could result in severe bodily injury and/or equipment damage.
- Read and understand this manual completely before attempting operation of the railgear equipped vehicle.
- Operating instructions provided below only address the Rafna Industries railgear equipment. Applicable railway company procedures and policies must be adhered to.
- Railway company rules governing rail travel must be observed at all times.
- Before performing any work under the vehicle or railgear, ensure the engine is turned off and the parking brake is set.
- This vehicle has an increased turning radius and decrease stability and braking ability. Use caution when operating both on road and rail.
- Following the first 100 km (62 Miles) of road and rail travel, the road wheel and adapter lug nuts must be retorqued. Refer to the service section of this manual for the procedure.
- Never operate the vehicle if the Gross Vehicle Weight Rating (GVWR), Gross Axle Weight Rating Front or Rear (GAWR), or the wheel or tire load ratings are exceeded.



OPERATION OF ROAD WHEELS AND TIRES

With the road wheels and tires installed on this vehicle, it may be operated as normal, however caution must be used as the vehicle now has an increased turning radius and decreased stability and braking ability both on road and rail.

Never operate the vehicle if the Gross Vehicle Weight Rating (GVWR), Gross Axle Weight Rating Front or Rear (GAWR), or the wheel or tire load ratings are exceeded.

SERVICE OF ROAD WHEELS AND TIRES

The road wheels and tires must be serviced regularly to avoid damage to the equipment. Table 1 below provides the Recommended Service Schedule.

If ever vibrations are felt through the vehicle, inspect the balance and alignment of the road wheels and tires.

If ever the wheels or adapters are removed, torque both the wheel and adapter lug nuts again as described below after 100 km (62 Miles) of road and/or rail travel.

Table 1: Recommended Service Schedule

Service Required	Initial 100 km (62 Miles) of road and/or rail use	Daily	Weekly	Monthly
Ensure vehicle is in good operating condition as per Mfg. Spec.	✓	✓		
Check and adjust tire pressure as per manufacturer’s specification	✓		✓	
Torque wheel lug nuts (see procedure below)	✓			✓
Torque wheel adapter lug nuts (see procedure below)	✓			✓

Torque the wheel and adapter lug nuts to the following specifications using the torque sequence provided. Do not over torque.

Table 2: Wheel & Adapter Torque Specifications

Wheel Lug Nuts	140 ft-lbs dry
Adapter Lug Nuts	140 ft-lbs dry



PARTS OF ROAD WHEELS AND TIRES

REV	CHANGE	DATE	BY	APPD
A	DRAWING RELEASED	5/22/08	JML	
B	REVISED ITEM 3	12/03/10	JMP	
C	REVISED ITEM 3	12/08/10	JMP	

ITEM	PART No.	DESCRIPTION OF ITEM(PART)	QTY.
1	R-18075A	WHEEL ADAPTER - REAR	2
2	R-0750	19.5" x 6.00" WHEEL x 4.19" OFFSET	2
3	R-13063	90° TAPERED LUG NUT	16
4	S-001015A	WHEEL LUG NUT TORQUE DEAL	2
5	-	DEM HUB	N/A
6	-	DEM WHEEL LUG NUT	N/A
7	-	DEM WHEEL STUD	N/A

LUG NUT TORQUE SEQUENCE

WHEEL LUG NUT TORQUE
140 FT-LBS DRY
PIN S-001015A

DETAIL ITEM #4

TOLERANCE ON FINISHED DIMENSIONS UNLESS OTHERWISE SPECIFIED		FRACTIONS		DECIMALS		ANGULAR DIMENSIONS	
UP TO 6 INCHES	±1/64	±.02	±.005	±.010	±.015	±1/2°	
6 TO 24	±1/32	±.03	±.010	±.015			
ABOVE 24	±1/16	±.06	±.015				

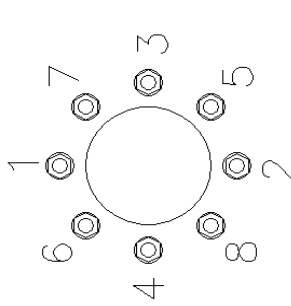
NOTE:
IDENTICAL FASTENERS
NOT SHOWN FOR CLARITY

	G & B SPECIALTIES INC. MANUFACTURER OF QUALITY RAILROAD PRODUCTS BERWICK PENNSYLVANIA 17004-7590C FAX (570) 752-6397
APPROVED	CHECKED
DATE: 5/22/08	SHEET: 1 of 2
DRAWING NUMBER: K-W25XXF015	PART NUMBER: K-W25XXF015
DESIGN ~ ENGINEERING ~ MANUFACTURING	WHEEL KIT, REAR
G & B SPECIALTIES INC. IS THE OWNER OF THE COPYRIGHT, PATENT RIGHTS AND ALL OTHER RIGHTS IN THIS DOCUMENT AND THE CONTENTS AND IS AUTHORIZED TO REPRODUCE AND TRANSMIT THIS INFORMATION IN ANY FORM OR BY ANY MEANS, ELECTRONIC OR MECHANICAL, INCLUDING PHOTOCOPYING, RECORDING, OR BY ANY INFORMATION STORAGE AND RETRIEVAL SYSTEM, WITHOUT PERMISSION IN WRITING FROM G & B SPECIALTIES INC.	
DATE: 5/22/08	SHEET: 1 of 2
DRAWING NUMBER: K-W25XXF015	PART NUMBER: K-W25XXF015
DESIGN ~ ENGINEERING ~ MANUFACTURING	WHEEL KIT, REAR



REV	CHANGE	DATE	BY	APPD
A	DRAWING RELEASED	5/22/08	JML	
B	REVISED ITEM 3	12/08/10	JMP	
C	REVISED ITEM 5	12/08/10	JMP	

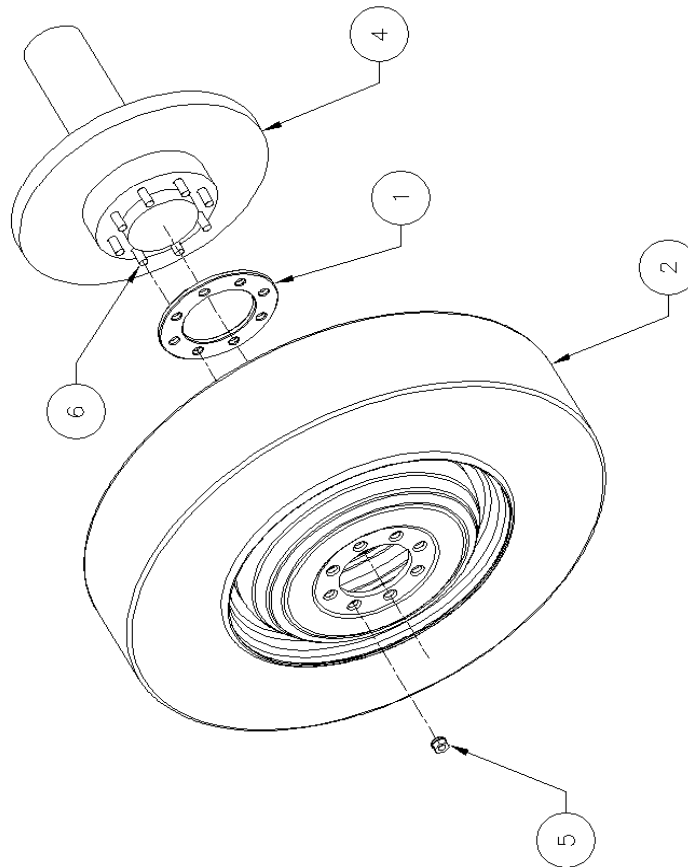
ITEM	PART No.	DESCRIPTION OF ITEM (PART)	QTY.
1	R-3567	WHEEL SPACER	2
2	R-0750	19.5" x 6.00" WHEEL x 4.13" OFFSET	2
3	S-001015A	WHEEL LUG NUT TORQUE DEAL	2
4	-	DEM HUB	N/A
5	R-13085	90° TAPERED LUG NUT	16
6	-	DEM WHEEL STUD	N/A



LUG NUT TORQUE SEQUENCE

WHEEL LUG NUT TORQUE
140 FT-LBS DRY
 P/N S-001015A

DETAIL ITEM #3



TOLERANCE ON FINISHED DIMENSIONS UNLESS OTHERWISE SPECIFIED	FRACTIONS	DECIMALS	ANGLES
1 PLACE	± 1/64	± 0.02	± 0.005
2 PLACE	± 1/32	± 0.03	± 0.010
3 PLACE	± 1/16	± 0.06	± 0.015
ANGULAR DIMENSIONS	± 1/2°		

G & B SPECIALTIES INC.
MANUFACTURER OF QUALITY RAILROAD PRODUCTS
MILLIKEN PARKS BLVD. #100 BERWICK, PA 19312-5289

DESIGN ~ ENGINEERING ~ MANUFACTURING

WE WELCOME YOUR COMMENTS AND SUGGESTIONS. WE WILL APPRECIATE YOUR FEEDBACK. CONTACT US AT 717-752-5901. FAX 717-752-6397. E-MAIL: SALES@GANDBSPECIALTIES.COM

WE ARE A SPECIALTY DEALER IN THE OWNER OF THE EQUIPMENT. WE ARE NOT A RAILROAD. WE ARE A MANUFACTURER OF RAILROAD EQUIPMENT. WE ARE NOT A RAILROAD. WE ARE A MANUFACTURER OF RAILROAD EQUIPMENT.

WHEEL KIT FRONT

MO-W25XXF015 5/22/08 12 of 2

REVISED SHEET NUMBER

MO-W25XXF015 E-250/254

MO-W25XXF015

NOTE:
IDENTICAL FASTENERS
NOT SHOWN FOR CLARITY