

INSTALLATION OF R-290 HYDRAULIC KIT STANDARD CONTROLS 2001-2013 FORD E-250/350 (VAN)

INSTALLATION SAFETY PRECAUTION

If any installation problems are encountered, please call G&B Specialties for technical assistance before continuing with the installation process.



- Failure to heed to any of the following warnings could result in severe bodily injury and/or equipment damage.
- Read and understand this manual completely before attempting installation or operation of the equipment.
- Installation/Operation instructions provided below only address the Rafna railgear equipment. Applicable railway company procedures and policies must be adhered to.
- Before performing any work under the vehicle or railgear, ensure the engine is turned off and the parking brake is set.
- When routing hydraulic hoses, ensure that the hoses do not contact any sharp edges or hot surfaces.
- When routing electrical wires, ensure that the wires do not contact any sharp edges or hot surfaces.
- All wire connections are to be soldered and heat shrink sealed to prevent future corrosion related problems.
- All wires must be covered with protective cable loom.
- Railway company rules governing rail travel must always be observed.
- Ensure all body parts and loose clothing are clear of any moving parts of the railgear. Be aware of all pinch points.
- Note that if the railgear is part way retracted or extended, opening the manifold directional valve manual over-rides may cause the railgear to drop suddenly causing personal injury. Ensure all body parts are clear of the railgear if it should suddenly drop.
- When operating the railgear using the emergency hand pump, ensure that the correct manual valve over-ride is open for the desired railgear (front or rear) and desired direction of operation (raise or lower).

- Do not use the emergency hand pump to raise and lower the railgear on a routine basis. If the hydraulic pump or manifold should fail, have it repaired as soon as possible.
- If the emergency hand pump has been used to raise or lower the railgear, ensure the manifold directional valve manual over-rides are in the closed and locked position before starting road or rail travel.
- Ensure the hydraulic pump has been de-energized before starting road or rail travel.

INSTALLATION OF HYDRAULIC KIT

The following procedure details the installation of the hydraulic kit. The hardware required for this installation is listed in Table 1.

Table 1: Hydraulic Kit Installation Parts

Part Number	Description	Qty
R-048B	Hydraulic Pump and Manifold	1
R-2965	Rear Pump Mounting Bracket	1
R-2965D	Shim Plate for Hydraulic Pump	1
CO-106	Pilot Switch, Red	1
R-1577	Fuse, Connector	1
R-1577-1	Fuse, 5 AMP	1
R-18113	Pump Spacer	1
CO-130G	"RailGear Pump" Decal	1
CO-130N	"Front Gear Up" Decal	1
CO-130O	"Rear Gear Up" Decal	1
CO-130P	"Front Gear Down" Decal	1
CO-130Q	"Rear Gear Down" Decal	1
R-18113	Pump Spacer	1
R-2868	Locking Cable Holding Collar	1
R-2961	In-Cab Control Lock Cam Converter	2
S-001031	Railgear Operation Decal	2
H-990KIT-024	¼" Male O-Ring Boss to ¼" Male JIC 90°	7
	¾" Male O-Ring Boss to ¼" Male JIC 90°	1
	¾" Male O-Ring Boss to ¼" Male JIC Straight	4
	Hose 23" Long	2
	Hose 40" Long	2
	Hose 360" Long	2
	¼" Female JIC Straight Coupler (On Hoses)	16
R-990KIT-243	¼" UNC Gr. 8 Bolt x 0.75" Long	4
	¼" SAE Washer	4
	¼" Lock Washer	4
	⅝" UNC Gr. 8 Bolt x 1.00" Long	4
	⅝" SAE Washer	4
	⅝" Lock Washer	4
Not Supplied	2 & 14 Gauge Wire, Terminals, Loom, Etc.	As Req'd

1. The pump is shipped with a manifold, a hand pump handle, a solenoid, and a rubber terminal boot.
2. Locate and install the solenoid in a convenient location under the hood near the vehicle's battery using installer supplied hardware. Ensure that the solenoid's body is electrically grounded.
3. Install the hydraulic fittings, adapters and hoses as shown on the hydraulic schematic.

4. Position the pump on top of the right front bumper extension as shown with the tank towards the center of the vehicle, so that the holes in the front bumper extension align with the threaded holes in the pump. Fasten the pump to the right front bumper extension using four $\frac{5}{16}$ " x 2.75" long bolts, four $\frac{5}{16}$ " washers, and four $\frac{5}{16}$ " lock washers.
5. Position the manifold on top of the left front bumper extension as shown so that no ports are on the rear side of the manifold. Fasten the manifold to the left front bumper extension using four $\frac{1}{4}$ " x 0.75" long bolts, four $\frac{1}{4}$ " washers, and four $\frac{1}{4}$ " lock washers.
6. There are four directional valve manual over-rides on the top face of the manifold. The decal plates can be installed on the top face of the manifold. Apply the decal plates next to the respective over-rides such that they are properly oriented while standing in front of the vehicle.
7. Connect one 23" long hydraulic hose between the C1 port on the manifold and the blind end port on the railgear cylinder nearest to the manifold.
8. Connect one 23" long hydraulic hose between the C2 port on the manifold and the rod end port on the railgear cylinder nearest to the manifold.
9. Connect one 40" long hydraulic hose between the P port on the manifold and the P port on the pump.
10. Connect one 40" long hydraulic hose between the T port on the manifold and the T port on the pump.
11. Connect one 360" long hydraulic hose to the C3 port on the manifold and mark the other end of this hose as "Blind".
12. Connect one 360" long hydraulic hose to the C4 port on the manifold and mark the other end of this hose as "Rod".
13. Route the two 360" long hydraulic hoses to the other end of the vehicle along the side of the frame and secure in place with tie-wraps. Where necessary, fasten the hose to the frame with installer supplied hose clips and hardware.
14. Connect the end of the 360" long hydraulic hose marked "Blind" to the blind end port on the railgear cylinder on the railgear furthest away from the pump/manifold.
15. Connect the end of the 360" long hydraulic hose marked "Rod" to the rod end port on the railgear cylinder on the railgear furthest away from the pump/manifold.
16. Ensure that none of the hoses contact any sharp edges or hot surfaces. Tie-wrap all hoses securely leaving enough slack for the railgear to function.
17. Install the dash switch and "Railgear Pump" decal in a convenient location on the dash.

18. The pump manifold has two wire harnesses and two wires connected to it:
 - a) One 4' wire harness for the railgear mounted nearest to the pump/manifold with a control box on the end.
 - b) One 36' wire harness for the railgear mounted furthest from the pump/manifold with a control box on the end.
 - c) One white and one black wire each with ring terminals on the ends.

19. Using suitable 14 gauge wire, cable loom, connectors, solder and heat shrink tubing:
 - a) Lengthen the white wire if required and connect it from the manifold to the switching terminal on the railgear pump solenoid previously mounted under the hood.
 - b) Lengthen the black wire if required and connect it from the manifold through the firewall to the load terminal on the dash switch.
 - c) Connect a length of black wire from the power terminal on the dash switch to the in-line fuse.
 - d) Connect another length of black wire from the in-line fuse to an ignition activated power supply.
 - e) Connect another wire from the ground terminal on the dash switch to a suitable ground location on the vehicle.
 - f) Ensure the manifold is properly grounded to the vehicle chassis by connecting a wire from the manifold to a suitable ground location on the vehicle. The railgear may not be properly grounded due to paint on the mounting plates or tar on the frame.

20. Using suitable 2 gauge wire, cable loom, connectors, solder and heat shrink tubing:
 - a) Connect one wire from the vehicle's battery to the power terminal on the circuit breaker or fuse.
 - b) Connect another wire from the load terminal on the circuit breaker to the power terminal on the solenoid.
 - c) Connect another wire from the load terminal on the solenoid to the power terminal on the pump motor. Use the supplied rubber boot to protect the pump power terminal from shorting out.
 - d) Ensure the pump motor base is properly grounded to the vehicle chassis by connecting a wire from the pump motor base to a suitable ground location on the vehicle. The railgear may not be properly grounded due to paint on the mounting plates or tar on the frame.

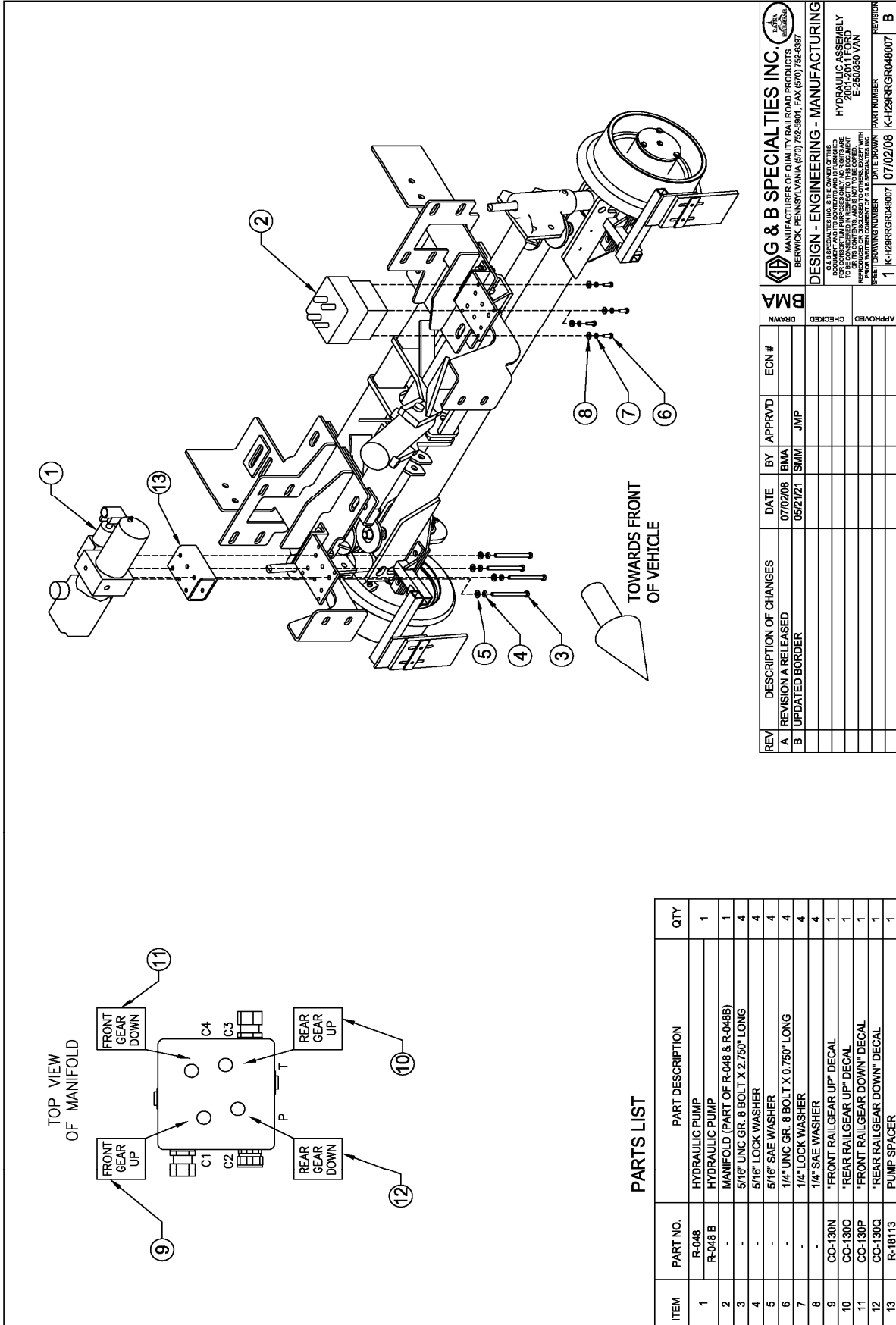
21. Route the 36' wire harness from the pump along the frame to the railgear at the other end of the vehicle and secure in place with tie-wraps. If necessary, the control box can be removed from and reinstalled on the wire harness to facilitate routing. Fabricate a bracket and mount the railgear control box with installer-supplied hardware in a protected vertical position in a suitable location. Ensure the control box is within reach of the railgear locking cable handle.

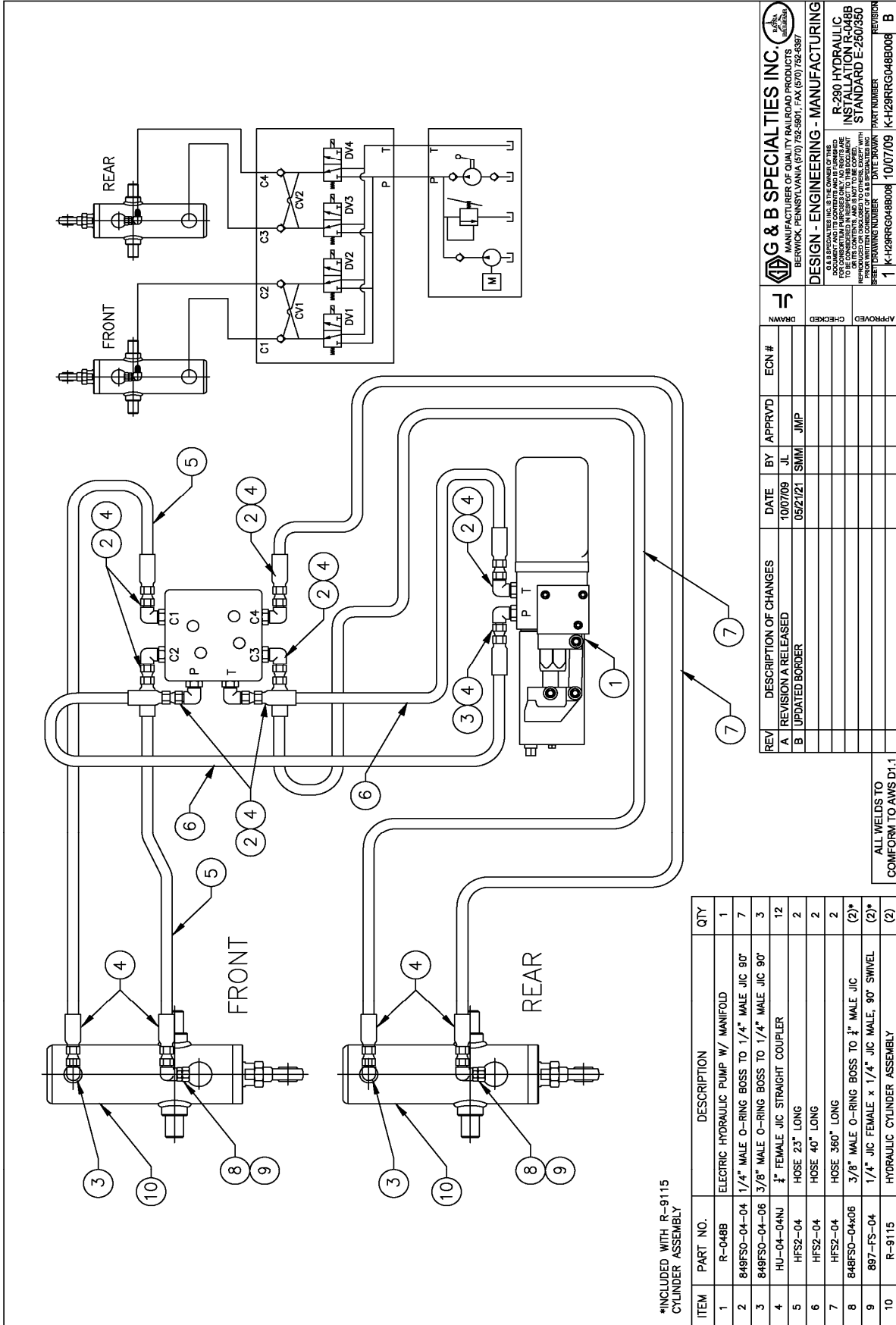
22. Route the 4' wire harness from the pump to the vehicle near the railgear and secure in place with tie-wraps. If necessary, the control box can be removed from and reinstalled on the wire harness to facilitate routing. Fabricate a bracket and mount the railgear control box with installer-supplied hardware in a protected vertical position in a suitable location. Ensure the control box is within reach of the railgear locking cable handle.

23. Ensure that the control boxes are mounted vertically so that the controls do not fill with water and freeze. They should also be mounted in a location protected from road spray etc.
24. Affix the supplied railgear operation decals in a suitable location adjacent to the front and rear control boxes.
25. Ensure all wires and terminals are soldered, heat shrink sealed, enclosed in protective cable loom and secured with tie-wraps.
26. Ensure all holes in the firewall are sealed and protected with a grommet.
27. Fill the hydraulic system and bleed the air out:
 - a) Fill the pump tank with **DEXRON III** (or equivalent) hydraulic fluid.
 - b) Operate the front railgear up and down briefly to circulate the fluid and bleed the system of air (refer to the Railgear Kit and Hydraulic Kit Operation, Service, and Parts manuals for operation instructions).
 - c) Refill the pump tank and repeat the above step until all air is removed from the front hydraulic system.
 - d) Operate the rear railgear up and down briefly to circulate the fluid and bleed the system of air (refer to the Railgear Kit and Hydraulic Kit Operation, Service, and Parts manuals for operation instructions).
 - e) Refill the pump tank and repeat the above step until all air is removed from the rear hydraulic system.
 - f) With both front and rear railgear locked in the road position, fill the pump tank to the full line.
28. Follow the Hydraulic System Relief Valve Setting procedure detailed in the Hydraulic Kit Service section of this manual.
29. Test the fit of the locking cable holding collar on both the front and rear locking cables. Ensure that the locking cable holding collar keeps the railgear locking pin fully disengaged. Grind the locking cable holding collar or adjust the locking cable handle on the cable to fit if necessary.
30. Test the operation of the controls and directional valve manual over-rides. Refer to the operation procedure in the Railgear Kit manual and Hydraulic Kit Operation section of this manual.
31. Locate and store the hand pump handle and the locking cable holding collar in a secure location in the vehicle cab.

Ensure that the thermal overload wires are properly spliced/connected as shown

It is recommended that a 200 amp fuse or 200 amp Circuit Breaker be installed to isolate the hydraulic pump from the vehicle electrical system as shown





*INCLUDED WITH R-9115 CYLINDER ASSEMBLY

ITEM	PART NO.	DESCRIPTION	QTY
1	R-048B	ELECTRIC HYDRAULIC PUMP W/ MANIFOLD	1
2	848FS0-04-04	1/4" MALE O-RING BOSS TO 1/4" MALE JIC 90°	7
3	848FS0-04-06	3/8" MALE O-RING BOSS TO 1/4" MALE JIC 90°	3
4	HU-04-04NJ	3/8" FEMALE JIC STRAIGHT COUPLER	12
5	HFS2-04	HOSE 23" LONG	2
6	HFS2-04	HOSE 40" LONG	2
7	HFS2-04	HOSE 360" LONG	2
8	848FS0-04x06	3/8" MALE O-RING BOSS TO 3/8" MALE JIC	(2)*
9	897-FS-04	1/4" JIC FEMALE x 1/4" JIC MALE, 90° SWIVEL	(2)*
10	R-9115	HYDRAULIC CYLINDER ASSEMBLY	(2)

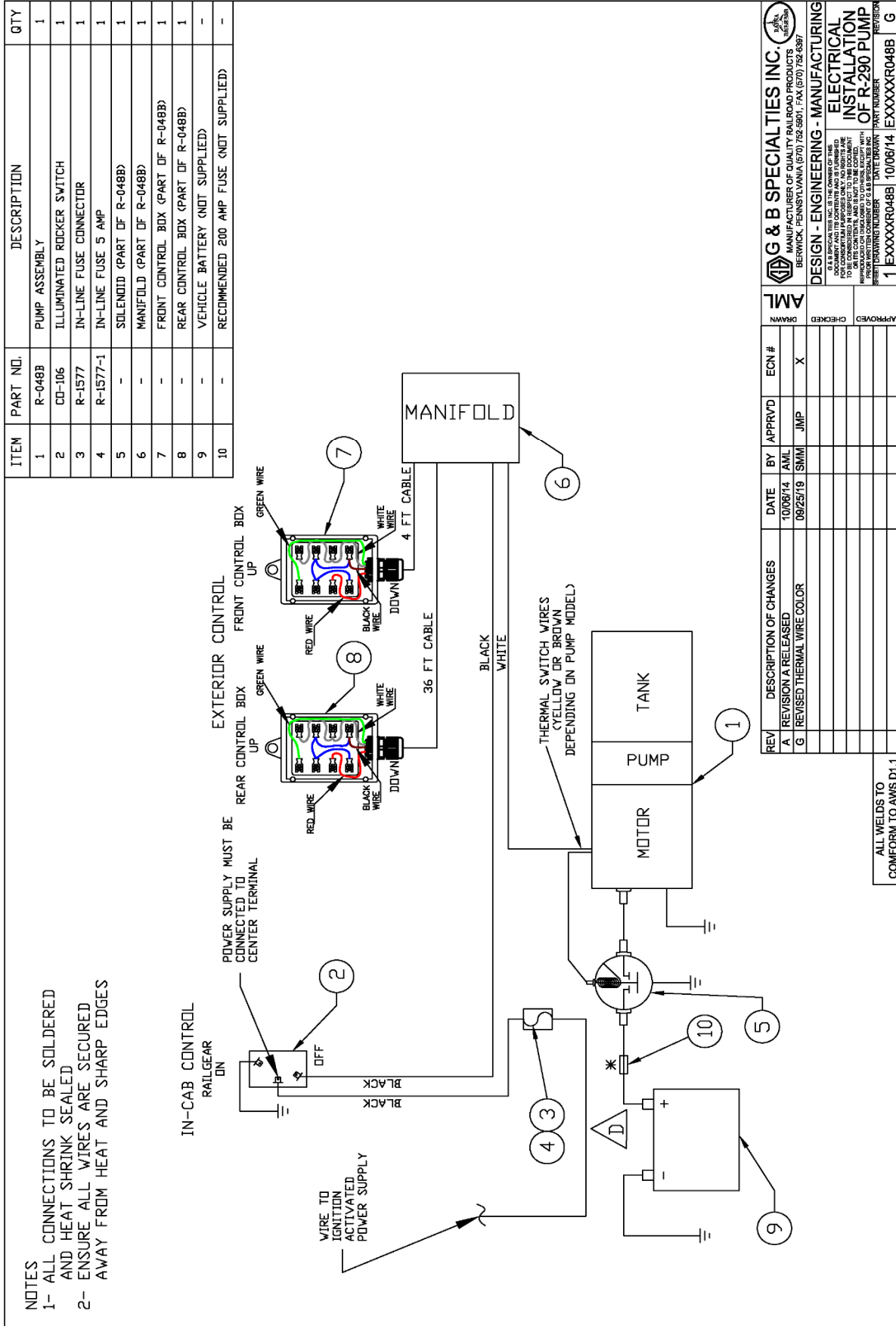
REV	DESCRIPTION OF CHANGES	DATE	BY	APPRVD	ECN #
A	REVISION A RELEASED	10/07/09	JL		
B	UPDATED BORDER	05/21/21	SMM	JMP	

APPROVED	CHECKED	DRAWN

ALL WELDS TO CONFORM TO AWS D1.1

DESCRIPTION	DATE	BY	APPRVD
DESIGN - ENGINEERING - MANUFACTURING	10/07/09	K-H29RRGR048008	10/07/09

MANUFACTURER	MANUFACTURING
G & B SPECIALTIES INC.	R-290 HYDRAULIC
BERWICK, PENNSYLVANIA (570) 752-5901, FAX (570) 752-6397	INSTALLATION R-048B
	STANDARD E-2507350



REV	DESCRIPTION OF CHANGES	DATE	BY	APPRVD	EON #
A	REVISION A RELEASED	10/06/14	AML	JMP	X
G	REVISED THERMAL WIRE COLOR	09/25/19	SMM	JMP	X

APPROVED: _____
CHECKED: _____
DRAWN: _____

DATE DRAWN: 10/06/14
PART NUMBER: EXXXXXR048B
REVISION: G

G & B SPECIALTIES INC.
MANUFACTURER OF QUALITY RAILROAD PRODUCTS
BERWICK, PENNSYLVANIA (570) 752-5901, FAX (570) 752-6397

DESIGN - ENGINEERING - MANUFACTURING

ELECTRICAL INSTALLATION

OF R-290 PUMP

FOR THE USE OF THE CUSTOMER, THE CUSTOMER SHALL BE RESPONSIBLE FOR THE PROPER INSTALLATION AND MAINTENANCE OF THE EQUIPMENT. THE CUSTOMER SHALL BE RESPONSIBLE FOR THE PROPER MAINTENANCE AND REPAIR OF THE EQUIPMENT. THE CUSTOMER SHALL BE RESPONSIBLE FOR THE PROPER MAINTENANCE AND REPAIR OF THE EQUIPMENT.

OPERATION, SERVICE, AND PARTS OF R-290 HYDRAULIC KIT STANDARD CONTROLS 2001-2013 FORD E-250/350 (VAN)

OPERATION AND SERVICE SAFETY PRECAUTIONS

If any operating, service or parts problems are encountered, please call G&B Specialties, Inc. for technical assistance.



- Failure to heed to any of the following warnings could result in severe bodily injury and/or equipment damage.
- Read and understand this manual completely before attempting operation of the railgear equipped vehicle.
- Operating instructions provided below only address the Rafna railgear equipment. Applicable railway company procedures and policies must be adhered to.
- Railway Company rules governing rail travel must be observed at all times.
- Before performing any work under the vehicle or railgear, ensure the engine is turned off and the parking brake is set.
- Ensure all body parts and loose clothing are clear of any moving parts of the railgear. Be aware of all pinch points.
- Note that if the railgear is part way retracted or extended, opening the manifold directional valve manual over-rides may cause the railgear to drop suddenly causing personal injury. Ensure all body parts are clear of the railgear if it should suddenly drop.
- When operating the railgear using the emergency hand pump, ensure that the correct manual valve over-ride is open for the desired railgear (front or rear) and desired direction of operation (raise or lower).
- Do not use the emergency hand pump to raise and lower the railgear on a routine basis. If the hydraulic pump or manifold should fail, have it repaired as soon as possible.
- If the emergency hand pump has been used to raise or lower the railgear, ensure the manifold directional valve manual over-rides are in the closed and locked position before starting road or rail travel.
- Ensure the hydraulic pump has been de-energized before starting road or rail travel.

OPERATION OF HYDRAULIC KIT

With the hydraulic kit installed on this vehicle, it may be operated as normal.

Never operate the vehicle if the Gross Vehicle Weight Rating (GVWR), Gross Axle Weight Rating Front or Rear (GAWR), or the wheel or tire load ratings are exceeded.

Refer to the Railgear Kit Operation, Service and Parts manual for information on the mechanical operation, service and parts of the railgear.

LOCATION AND OPERATION OF THE RAILGEAR HYDRAULIC SYSTEM CONTROLS

The railgear hydraulic system consists of a hydraulic pump and manifold, a front control box, a rear control box, and an in-cab control panel.

1. The railgear hydraulic pump must be energized prior to use by turning on the respective dash switch on the control panel in the vehicle cab. At this point the dash switch light should come on but the pump should not run and the railgear should not move until a control button is depressed.
2. The direction of the front or rear railgear movement is selected by pushing the "Up" or "Down" button on the respective control box located near the railgear. At this point the pump should start and the railgear should move in the selected direction.
3. To stop the movement of the railgear, release the depressed button.
4. The pump must be de-energized after use by turning off the respective dash switch. At this point the pump should not be able to run and the control buttons should be in-active.

LOCATION AND OPERATION OF THE HYDRAULIC EMERGENCY HAND PUMP:

If the railgear hydraulic system should fail such that the railgear does not respond to depressing the buttons on the front and / or rear control boxes, then the emergency hand pump system may be used to place the vehicle on rail or remove the vehicle from rail. Follow the standard operation procedure (as detailed in the Railgear Kit Operation, Service and Parts Manual) except substitute the following steps when the procedure requires raising or lowering of the railgear.

1. Remove the hand pump handle from storage and insert the handle into the hand pump located on the body of the hydraulic pump.
2. There are four manifold directional valves, one for each railgear function: "Front Gear Up", "Front Gear Down", "Rear Gear Up", and "Rear Gear Down". The manual over-rides for these valves are located on the manifold under rubber boots. Only open one manifold directional valve over-ride at a time. To manually open a manifold directional valve over-ride, remove the rubber boot, push in and twist the knob allowing the knob to extend. To manually close a manifold directional valve over-ride, push the knob in, twist the knob to lock it in place and replace the rubber boot.
3. Select and open the manual over-ride for the respective railgear and desired direction of movement.
4. Remove the locking cable holding collar from storage. It can be slipped in between the locking cable handle and the locking cable bulkhead fitting to hold the locking cable in the disengaged position.
5. Pump the emergency hand pump handle to move the railgear. It will require 50 to 100 full strokes to fully raise or lower each railgear.
6. Close the manual over-ride. Ensure all manifold directional valve manual over-rides are closed and locked in position. Replace all the rubber boots.
7. Remove and store the locking cable holding collar and the hand pump handle.
8. Ensure the railgear lock pins are fully engaged as required by the procedure.

SERVICE OF HYDRAULIC KIT

The hydraulic kit must be serviced regularly to avoid damage to the equipment. Table 1 below provides the Recommended Service Schedule and Table 2 provides Standard Fastener Torque Values.

The recommended oil for the railgear hydraulic system is DEXRON III or equivalent. In extremely cold weather areas/seasons, Tellus S4VX32 or equivalent may be used.

Table 1: Recommended Service Schedule

Service Required	Initial 100 km (62 Miles) of road and/or rail use	Daily	Weekly	Monthly
Inspect hydraulic kit fasteners (re-torque if required)		✓	✓	✓
Inspect all hydraulic fittings and hoses for leaks and wear.		✓	✓	✓
Check oil in hydraulic reservoir. (fill with railgear raised if req'd)				✓
Check emergency hand pump and manifold over-ride operation				✓

Table 2: Standard Fastener Torque Values

Fastener Size	Fastener Torque Value (ft-lbs) Dry
1" UNC Gr. 8 Fasteners	250
¾" UNC Gr. 8 Fasteners	175
⅝" UNC Gr. 8 Fasteners	150
½" UNC Gr. 8 Fasteners	100
⅜" UNC Gr. 8 Fasteners	40
¼" UNC Gr. 8 Fasteners	12

HYDRAULIC SYSTEM RELIEF VALVE SETTING

This system is equipped with one relief valve located on the railgear pump body next to the emergency hand pump. This relief valve protects the entire hydraulic system from over pressurization. The relief valve will require adjustment at installation and if ever there appears to be inadequate hydraulic pressure to operate the railgear.

1. Disconnect the hydraulic hose from the "P" port of the pump.
2. Install a hydraulic pressure gauge (up to 3000 PSI) between the disconnected hydraulic hose and the pump port. The pressure gauge will indicate the relief valve setting when the pump is loaded.
3. Following the procedure in the Railgear Kit Operation, Service and Parts manual, raise the rear railgear completely and continue to raise the railgear so that the hydraulic cylinder creates a load on the pump by trying to "dead-head". The pressure reading on the pressure gauge should climb to 1800 PSI.
4. If the pressure is not correct, release the railgear controls and adjust the relief valve on the pump accordingly. Loosen the lock nut and turn the setscrew in to increase the pressure or out to decrease the pressure. Re-check the pressure.
5. Once the correct pressure on the pump relief valve is obtained, ensure the lock nut on the relief valve is tightened. Release the pressure in the system and remove the pressure gauge. Re-connect all hydraulic hoses.
6. Ensure the railgear is properly raised as per the Railgear Kit Operation, Service and Parts manual.

ELECTRICAL SYSTEM TROUBLESHOOTING

The following basic test can be performed to check the integrity of the railgear electrical system.

Should the railgear pump fail to operate, first check the fuse or the circuit breaker and all wiring for shorts. Then the following test can be performed to verify the integrity of the pump motor and pump solenoid.

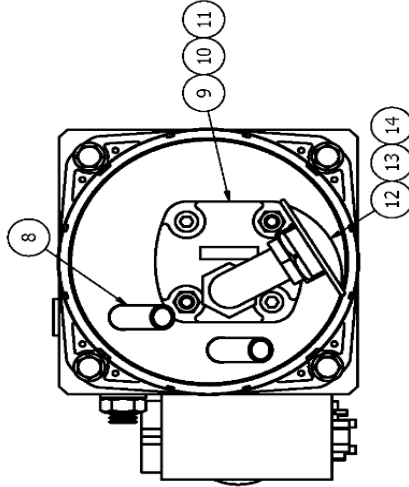
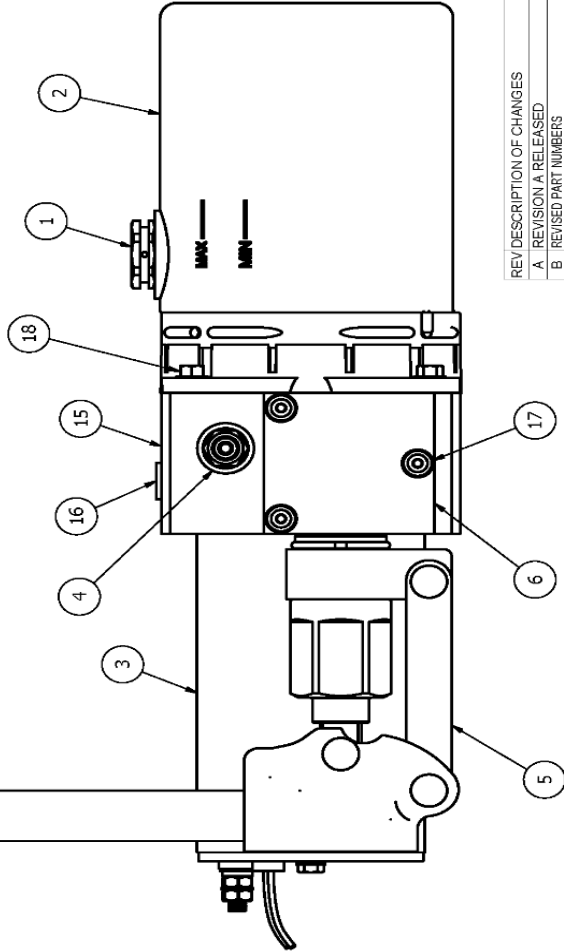
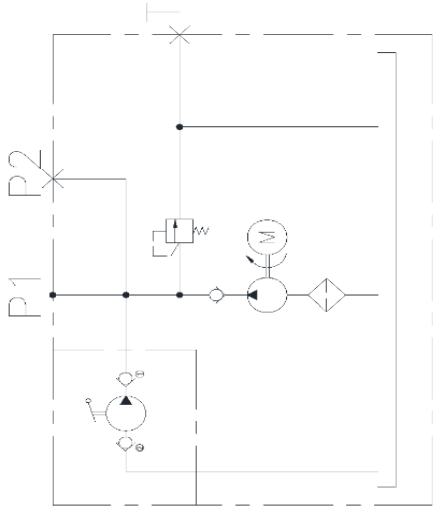
1. Pump motor test:
 - a) Connect one end of a 4 gauge shunt wire to the pump motor power terminal and touch the other end to the battery positive terminal.
 - b) The pump motor should run upon touching the shunt wire.
 - c) If the pump does not run, the pump is not properly grounded or the pump motor is defective.
 - d) If the pump motor runs, test for a defective solenoid.
2. Solenoid test:
 - a) Connect one end of a 14 gauge shunt wire to the switching terminal on the solenoid and touch the other end to the battery positive terminal. If the pump does not operate the solenoid is not properly grounded or it is defective. If the pump operates, the problem lies with the fuse/circuit breaker, wiring and/or switches.

Should the pump start running immediately following turning on the respective dash switch, the following tests can be performed to help locate the problem.

1. Disconnect the wire from the switching terminal on the solenoid. If the pump continues to run, then the solenoid is defective.
2. Check all wiring and switches for shorts and / or loose terminals.

PARTS OF HYDRAULIC KIT

PARTS LIST			
ITEM	PART NUMBER	DESCRIPTION	QTY
1	S-309616	BREATHER	1
2	S-309608	RESERVOIR/TANK	1
3	S-309600	MOTOR	1
4	S-309607	CHECK VALVE	1
5	S-309605	HAND PUMP ASSEMBLY	1
6	S-309603	HAND PUMP BLOCK	1
7	S-309627	PUMP HANDLE	1
8	S-309617	OIL RETURN PIPE	2
9	S-309604	PUMP	1
10	S-309609	COUPLING	1
11	S-309618	HEX SOCKET BOLT	2
12	S-309610	SUCTION OIL PIPE	1
13	S-309611	FILTER	1
14	S-309612	MAGNET	1
15	S-309602	BODY VALVE BLOCK	1
16	S-309620	IRON PLUG	1
17	S-309619	HEX SOCKET BOLT	3
18	S-309615	HEX FLANGED SCREW	4



REV/DESCRIPTION OF CHANGES	DATE	BY	APPRVD	ECN #
A. REVISION A RELEASED	10/16/19	SMM	JMP	
B. REVISED PART NUMBERS	07/14/20	SMM	SMM	

DESIGN - ENGINEERING - MANUFACTURING	DESIGN - ENGINEERING - MANUFACTURING
JMP	JMP
SMM	SMM
SMM	SMM

REVISION	DATE	DESCRIPTION
1	10/16/19	REVISED PART NUMBERS

G & B SPECIALTIES INC.
MANUFACTURER OF QUALITY RAILROAD PRODUCTS
BERWICK, PENNSYLVANIA (570) 752-5901, FAX (570) 752-6397

R-048/R-048B
PUMP PARTS

ALL DIMENSIONS ARE TO BE TAKEN TO THE CENTER UNLESS OTHERWISE SPECIFIED.
DIMENSIONS ARE TO BE TAKEN TO THE CENTER UNLESS OTHERWISE SPECIFIED.
DIMENSIONS ARE TO BE TAKEN TO THE CENTER UNLESS OTHERWISE SPECIFIED.
DIMENSIONS ARE TO BE TAKEN TO THE CENTER UNLESS OTHERWISE SPECIFIED.

SHEET NUMBER: 10/16/19/S-003041 PART NUMBER: B

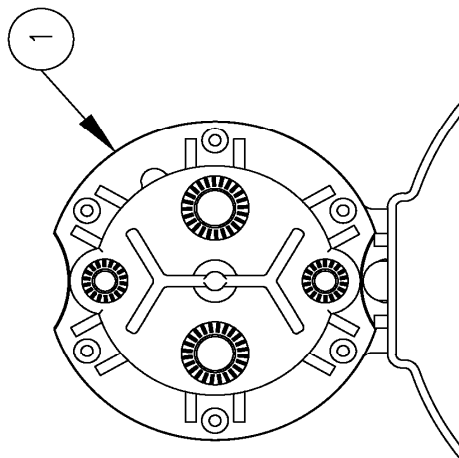
NOTES
1. TO BE USED WITH PUMPS HAVING SERIAL NUMBERS OF THE KS SERIES

PARTS LIST			
ITEM	PART NUMBER	DESCRIPTION	QTY
1	S-309631	3W / 2P CARTRIDGE VALVE	4
2	S-309632	COIL	4
3	S-309630	PO CHECK CARTRIDGE VALVE	2
4	S-309629	MANIFOLD BODY	1
5	S-309638	STRAIN RELIEF ASSEMBLY	2
6	S-309639	PAN HEAD SCREW	4
7	S-309689	STRAIN RELIEF ASSEMBLY	1
8	S-309633	ALUMINUM WATERPROOF BOX ASSY	1
9	INCLUDED	ANTI-FALLING SCREW (INCLUDED IN S-309633)	4
10	INCLUDED	LID (INCLUDED IN S-309633)	1

REVISION/DESCRIPTION OF CHANGES	DATE	BY	APPROVD	ECN #	DRAWN	CHECKED	DATE ISSUED	SHEET NUMBER	REVISION
A REVISION A RELEASED	10/17/19	SMM	JMP					1	C
B UPDATED PART NUMBERS	07/14/20	SMM	SMM						
C UPDATED LID PART NUMBER	08/19/20	SMM	SMM						

G & B SPECIALTIES INC.	MANUFACTURER OF QUALITY RAILROAD PRODUCTS
	BERWICK, PENNSYLVANIA (570) 752-5901, FAX (570) 752-6397
	DESIGN - ENGINEERING - MANUFACTURING
	R-048/R-048B
	MANIFOLD
	PARTS

PARTS LIST			
ITEM	PART NUMBER	DESCRIPTION	QTY
1	S-309601	SOLENOID	1
2	S-309624	TERMINAL BOOT	1



REV	DESCRIPTION OF CHANGES	DATE	BY	APPRVD	ECN #	DRAWN	CHECKED	APPROVED
A	REVISION A RELEASED	10/18/19	SMM	JMP		JMP	JMP	JMP

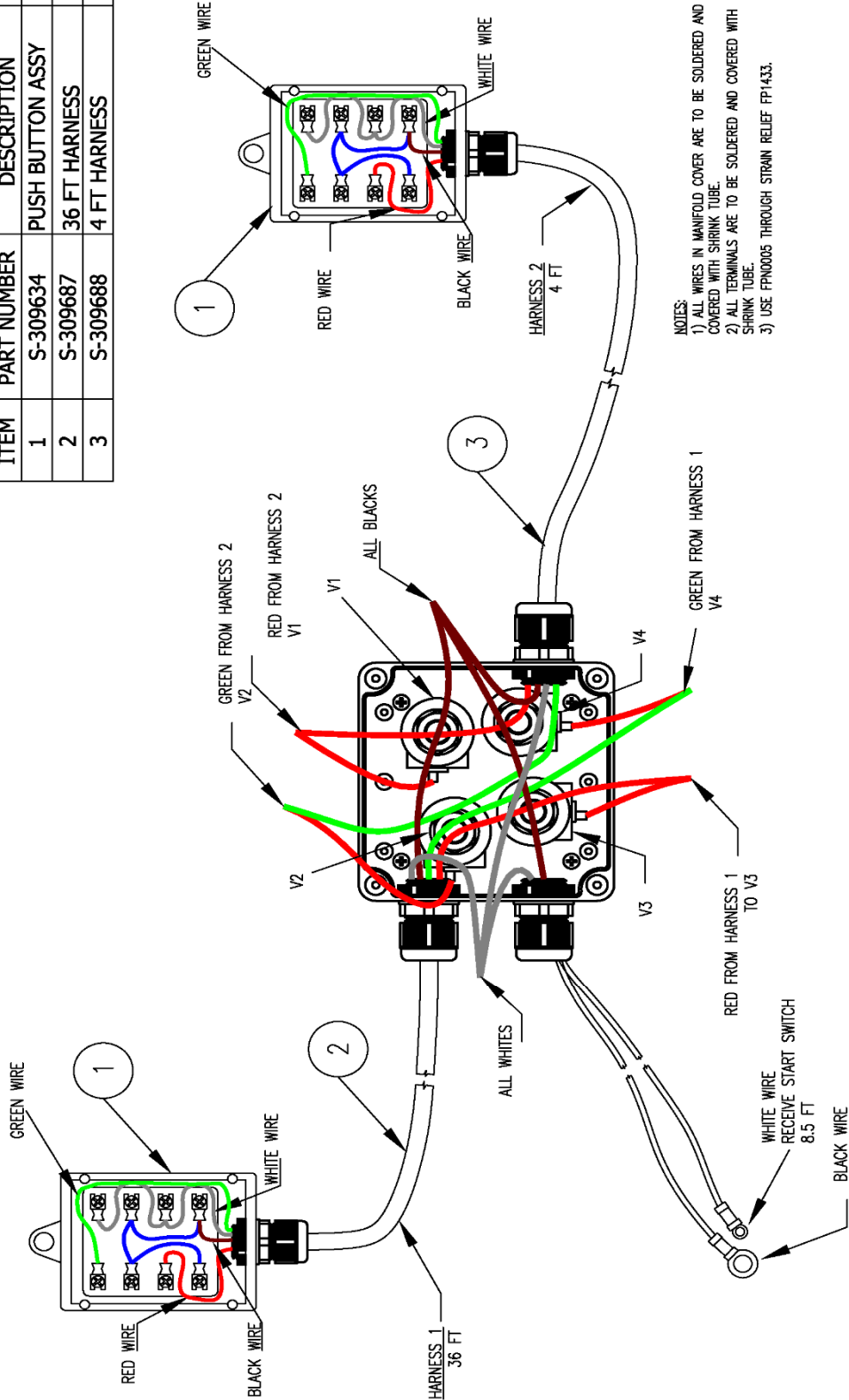
G & B SPECIALTIES INC.
MANUFACTURER OF QUALITY RAILROAD PRODUCTS
BERWICK, PENNSYLVANIA (717) 752-5801 FAX (717) 752-6387

DESIGN - ENGINEERING - MANUFACTURING

G & B SPECIALTIES INCLUDES THE OWNER OF THIS DOCUMENT AND ALL RIGHTS ARE RESERVED. THIS DOCUMENT IS FOR CONSULTANT PURPOSES ONLY. NO PARTS ARE TO BE COPIED, REPRODUCED, OR TRANSMITTED IN ANY FORM OR BY ANY MEANS, ELECTRONIC OR MECHANICAL, INCLUDING PHOTOCOPYING, RECORDING, OR BY ANY INFORMATION STORAGE AND RETRIEVAL SYSTEM, WITHOUT PERMISSION IN WRITING FROM G & B SPECIALTIES INC.

SHEET DRAWING NUMBER: 10/17/19
PART NUMBER: MISC R048/B
REVISION: A

PARTS LIST			
ITEM	PART NUMBER	DESCRIPTION	QTY
1	S-309634	PUSH BUTTON ASSY	2
2	S-309687	36 FT HARNESS	1
3	S-309688	4 FT HARNESS	1



NOTES:
1) ALL WIRES IN MANIFOLD COVER ARE TO BE SOLDERED AND COVERED WITH SHRINK TUBE.
2) ALL TERMINALS ARE TO BE SOLDERED AND COVERED WITH SHRINK TUBE.
3) USE FPN0005 THROUGH STRAIN RELIEF FPI433.

REV	DESCRIPTION OF CHANGES	DATE	BY	APPRVD	ECN #
A	REVISION A RELEASED	10/17/19	SMM	JMP	
B	UPDATED PART NUMBERS	07/14/20	SMM	SMM	X

WIRE COLOR FROM HARNESS	CONNECTED TO DEVICE
HARNESS 1	BLACK
HARNESS 1	WHITE
HARNESS 1	GREEN
HARNESS 1	RED
HARNESS 2	BLACK POWER LEAD
HARNESS 2	WHITE SOLENOID LEAD
HARNESS 2	V1
HARNESS 2	V2
HARNESS 2	V3
HARNESS 2	V4

APPROVED	CHECKED	DESIGNED	DRAWN
JMP	JMP	SMM	SMM

R-048B
MANIFOLD
LAYOUT