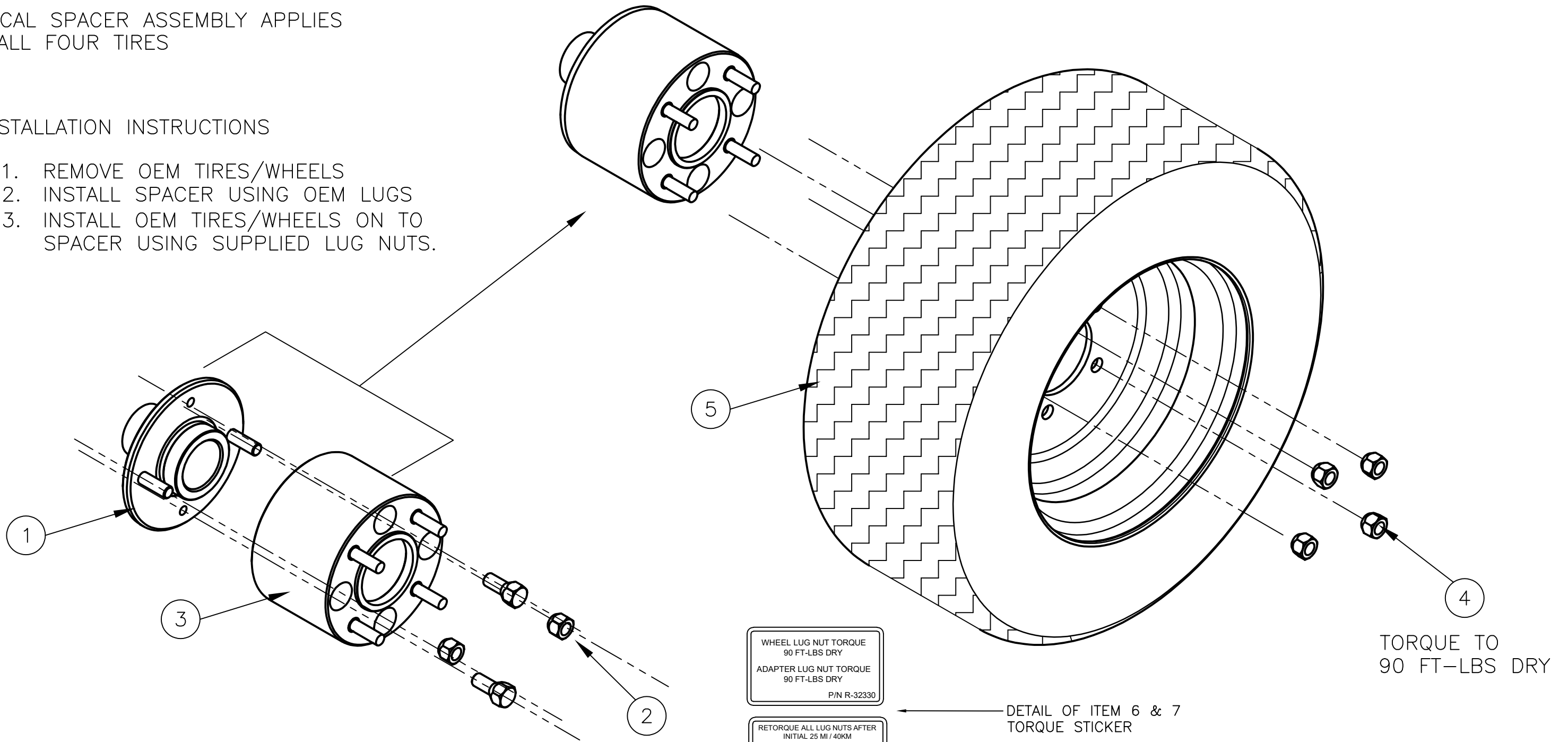


TYPICAL SPACER ASSEMBLY APPLIES TO ALL FOUR TIRES

INSTALLATION INSTRUCTIONS

1. REMOVE OEM TIRES/WHEELS
2. INSTALL SPACER USING OEM LUGS
3. INSTALL OEM TIRES/WHEELS ON TO SPACER USING SUPPLIED LUG NUTS.



WHEEL LUG NUT TORQUE  
90 FT-LBS DRY  
ADAPTER LUG NUT TORQUE  
90 FT-LBS DRY  
P/N R-32330

RETORQUE ALL LUG NUTS AFTER  
INITIAL 25 MI / 40KM  
WHEEL / ADAPTER LUG NUT  
TORQUE: 90 FT-LBS DRY  
P/N R-32330A

DETAIL OF ITEM 6 & 7  
TORQUE STICKER

TORQUE TO  
90 FT-LBS DRY

TORQUE TO  
90 FT-LBS DRY

ITEM	PART No.	DESCRIPTION OF ITEM(PART)	QTY.
1	-	OEM HUB	REF
2	-	OEM LUG NUT & STUD	REF
3	R-32333	WHEEL SPACER	4
4	R-32325A	LUG NUT	16
5	-	OEM TIRE/WHEEL ASSY	REF
6	R-32330	TORQUE STICKER	4
7	R-32330A	TORQUE STICKER	4

REV	DESCRIPTION OF CHANGES	DATE	BY	APPR'VD	ECN #
A	REVISION A RELEASED	03/12/15	JL		
B	R-32333 REPLACED R-32325	02/06/18	SMM	JMP	ECN-018-125

DRAWN	JL	<b>G &amp; B SPECIALTIES INC.</b> MANUFACTURER OF QUALITY RAILROAD PRODUCTS BERWICK, PENNSYLVANIA (570) 752-5901, FAX (570) 752-6397		
	CHECKED			<b>DESIGN - ENGINEERING - MANUFACTURING</b> <small>G &amp; B SPECIALTIES INC. IS THE OWNER OF THIS DOCUMENT AND ITS CONTENTS AND IS FURNISHED FOR CONSORTIUM PURPOSES ONLY. NO RIGHTS ARE TO BE CONSIDERED IN RESPECT TO THIS DOCUMENT OR ITS CONTENTS, AND IS NOT TO BE COPIED, REPRODUCED OR DISCLOSED TO OTHERS, EXCEPT WITH PRIOR WRITTEN CONSENT OF G &amp; B SPECIALTIES INC.</small>
APPROVED		<b>WHEEL SPACER INSTALL KUBOTA</b>		
SHEET	DRAWING NUMBER	DATE DRAWN	PART NUMBER	REVISION
1	K-W18KB-RTV-X	03/12/15	K-W18KB-RTV-X	B