

INSTALLATION OF FRONT ADJUSTABLE HYDRAULIC BRAKE KIT ROTARY R-490 RAILGEAR

SAFETY PRECAUTIONS

If any installation problems are encountered, please call G&B Specialties, Inc. for technical assistance before continuing with the installation process.



- Failure to heed to any of the following warnings could result in severe bodily injury and/or equipment damage.
- Read and understand this manual completely before attempting installation of the equipment.
- Installation instructions provided below only address the Rafna railgear equipment. Applicable railway company procedures and policies must be adhered to.
- Before performing any work under the vehicle or railgear, ensure the engine is turned off and the parking brake is set.
- Beware of all pinch points on the railgear and keep all parts of the body clear.
- When routing hydraulic hoses, ensure that the hoses do not contact any sharp edges or hot surfaces.
- All wire connections should be soldered and heat shrink sealed to prevent future corrosion-related problems.
- All wires must be covered with protective cable loom.
- Always disconnect the vehicle's battery when welding on the vehicle or railgear in order to protect the vehicle's electrical system.
- Do not use regular brake fluid in the front hydraulic brake system, as it will damage the hydraulic brake pump and the brake cylinders.

INSTALLATION OF FRONT ADJUSTABLE HYDRAULIC BRAKE KIT

The following procedure details the installation of the Adjustable Front Hydraulic Brake Kit.

The hardware required for this installation is listed in Table 1.

Table 1: K-B49RFX20507 BOM

Part Number	Description	Quantity
R-20507D	Hydraulic Brake, Driver Side	1
R-20507P	Hydraulic Brake, Passengers Side	1
CO-106	Dash Switch	1
R-1577	5A In-Line Fuse	1
R-1577-1	Fuse, 5 Amp	1
R-5670	Hydraulic Brake Pump	1
R-5692	Electric Brake Control	1
R-20453	Brake Support	1
R-4574B	Brake Pump Mounting Spacer	1
CO-130H	"Railgear Brake Pump" Decal	1
844FS-04-04	1/4" Male JIC to 1/4" Male JIC Tee	1
HFS2-04	Hose 35" Long	1
HFS2-04	Hose 27" Long	1
HU04-04NJ	1/4" Female Hose Straight Coupling (Installed on hoses)	2
HU04-04MF45T	1/4" Male Swivel Inverted Coupling, 45° Swivel	2
R-990KIT-465	3/8" UNC Gr.8 Bolt x 1 1/4" Long	4
	3/8" Type-A Gr.8 Flat Washer	6
	3/8" Gr. 8 Washer, Split Lock	2
	3/8" Gr. 8 Nylock Nut	2
R-990KIT-394	3/8" UNC Gr.8 Bolt x 1" Long	6
	3/8" UNC Gr.8 Bolt x 1.25" Long	2
	3/8" Gr.8 Washer, Flat	8
	3/8" Gr.8 Washer, Lock	8

1. Ensure that the rail wheels have been installed on the front railgear prior to installation of the Front Hydraulic Brake Kit.
2. Place the hydraulic brakes on the ends of the front railgear axle so that the 3/8" threaded holes align with the slots in the top and side mounting surfaces of the brake housing. The brake shoe linkage of each brake housing should be toward the front of the vehicle. (Figure 1)
3. Fasten each brake housing to the front railgear axle using the supplied 3/8" hardware shown in Figure 1. Torque the 3/8" fasteners to 45 ft-lbs dry. Do not over torque.
4. Depending what gage the rail wheels are set for, the brakes may need to be adjusted. They will come set for Standard gage and will need to be adjusted for Trolley Gage. Please refer to Figure 2 and the Operations section of the manual to adjust the brakes.
5. At the rear step on the Driver's Side will be the location to mount the pump. If the hydraulic pump for the railgear has already been installed, you should be familiar with the location. The hydraulic pump and brake pump share the same mounting plate, and details to mount the plate are contained in the Hydraulic Installation Manual. If the mounting plate has not yet been installed, please refer to the Hydraulic Installation Manual. (Photo 1)
6. Install the Brake Pump Support (R-20453) Bracket using the supplied 3/8" x 1 1/4" bolts and associated hardware. (Figure 3)
7. Install Hydraulic Brake Pump (R-5670) and Spacer (R-4574B) on Pump Plate by using the supplied 3/8" x 1 1/4" bolts, flat washers, and lock washers to fasten. (Figure 4)
8. Position the electric brake control under the hood on or close to the vehicle firewall. Fasten the electric brake control to the vehicle using installer-supplied self-tapping screws. The brake controller can be mounted inside the cab of the vehicle at the installer's discretion.
9. Choose a suitable location on the vehicle dash and install the dash switch.
10. Affix the "Railgear Brake Pump" decal in a suitable location adjacent to the dash switch.
11. Using suitable 14 gauge wire, cable loom, connectors, solder and heat shrink tubing: (Figure 5)
 - a) Lengthen as required, terminate and connect one of the red wires from the brake pump valve to reach to terminal 2 on the electric brake control.
 - b) Lengthen as required, terminate and connect the other red wire from the brake pump valve to a suitable ground location.
 - c) Terminate and connect a black wire from the power terminal on the brake pump solenoid to one end of the in-line fuse.
 - d) Terminate and connect another length of black wire from the other end of the in-line fuse through the firewall to the power terminal on the dash switch.
 - e) Terminate and connect a wire from the dash switch ground terminal to a suitable ground location on the vehicle.

- f) Terminate and connect a wire from the load terminal on the dash switch to terminal 3 on the electric brake control.
- g) Terminate and connect a wire from the switching terminal on the brake pump solenoid to terminal 6 on the electric brake control.
- h) Terminate and connect a wire from terminal 7 on the electric brake control to a suitable ground location.
- i) Terminate and connect a wire to terminal 1 on the electric brake control and splice it into the load wire from the vehicle service brake light switch behind the brake pedal.

12. Optional Upfitter Switch Installation: (Figure 6)

Using suitable 14 gauge wire, cable loom, connectors, solder and heat shrink tubing:

- a) Lengthen as required, terminate and connect one of the red wires from the brake pump valve to reach to terminal 2 on the electric brake control.
- b) Lengthen as required, terminate and connect the other red wire from the brake pump valve to a suitable ground location.
- c) Terminate and connect a black wire from terminal 3 on the electric brake control to one end of the in-line fuse.
- d) Terminate and connect another length of black wire from the other end of the in-line fuse to the violet/green striped wire for the AUX 3 upfitter switch.
- e) Terminate and connect a wire from the switching terminal on the brake pump solenoid to terminal 6 on the electric brake control.
- f) Terminate and connect a wire from terminal 7 on the electric brake control to a suitable ground location.

Terminate and connect a wire to terminal 1 on the electric brake control and splice it into the load wire from the vehicle service brake light switch behind the brake pedal

13. Using suitable 4 gauge wire, cable loom, connectors, solder and heat shrink tubing:

- a) Terminate and connect one wire from the vehicle's battery to the power terminal on the brake pump solenoid.
- b) Terminate and connect another wire from the load terminal on the brake pump solenoid to the power terminal on the brake pump motor.
- c) Apply a small amount of silicon sealant to the pump motor and solenoid terminals to protect them from shorting out or rusting.
- d) Ensure the brake pump motor base is properly grounded to the vehicle chassis by connecting a wire from the brake pump motor base to a suitable ground location on the vehicle.

14. Install/Fabricate the hydraulic hoses/fittings/adapters as shown on the hydraulic schematic. (Figure 5/6)

15. Ensure that none of the hoses contact any sharp edges or hot surfaces. secure all hoses leaving enough slack for the railgear to function and brakes to be adjusted.

16. Ensure that all wires and terminals are soldered, heat shrink sealed, enclosed in protective cable loom and secured.

17. Ensure that any holes in the firewall are sealed and protected with a grommet.

18. Fill the hydraulic brake system and bleed the air out:

G&B Specialties Inc. 535 West 3rd Street, Berwick, PA, USA Tel: (570) 752-5901 Fax: (570) 752-6397
US Field Service: 570-441-6988; CAN Field Service 570-854-0482; www.rafna.com

- a) Fill the hydraulic brake pump tank with DEXRON III (or equivalent) hydraulic fluid.
 - b) Turn on the dash switch. Depress and hold the vehicle brake pedal. The hydraulic brake pump should start.
 - c) Open the air bleed valve on each brake cylinder to allow air to escape.
 - d) Close the air bleed valve on each brake cylinder.
 - e) Release the brake pedal.
 - f) Re-fill the hydraulic brake pump tank with hydraulic fluid.
 - g) Repeat the above steps until only oil and no more air comes out of the air bleed valve.
 - h) Fill the hydraulic brake pump tank to the fill line.
19. Paint any parts that were welded.
20. Follow the Front Hydraulic Brake Relief Valve Setting procedure detailed in the Operation, Service and Parts section of this manual.
21. Follow the Brake Shoe To Rail Wheel Clearance Adjustment procedure detailed in the Operation, Service and Parts section of this manual.
22. Test the operation of the hydraulic brakes as per the Operation, Service and Parts section of this manual.
23. Once Brakes are fully tested, Install the Pump Protection Box (R-20484) using remaining 3/8" hardware. (Figure 7)

PARTS LIST			
ITEM	PART NUMBER	DESCRIPTION	QTY
1	R-20500	R-490 ADJ. ROT. FRONT UPPER ASSY	1
2	R-20507P	PS FRONT ADJ BRK ASSY, R490 TROLLEY	1
3	R-20507D	DS FRONT ADJ BRK ASSY, R490 TROLLEY	1
4	990725-100-22	SCREW, 3/8" X 1" GR 8 HEX CAP Z/Y	6
5	990725-125-22	SCREW, 3/8" X 1 1/4" GR 8 HEX CAP Z/Y	2
6	990600-037-002	WASHER, 3/8" SAE THRU HD FLAT Z/Y	8
7	990401-037-02	WASHER, 3/8" REG LOCK Z/Y	8

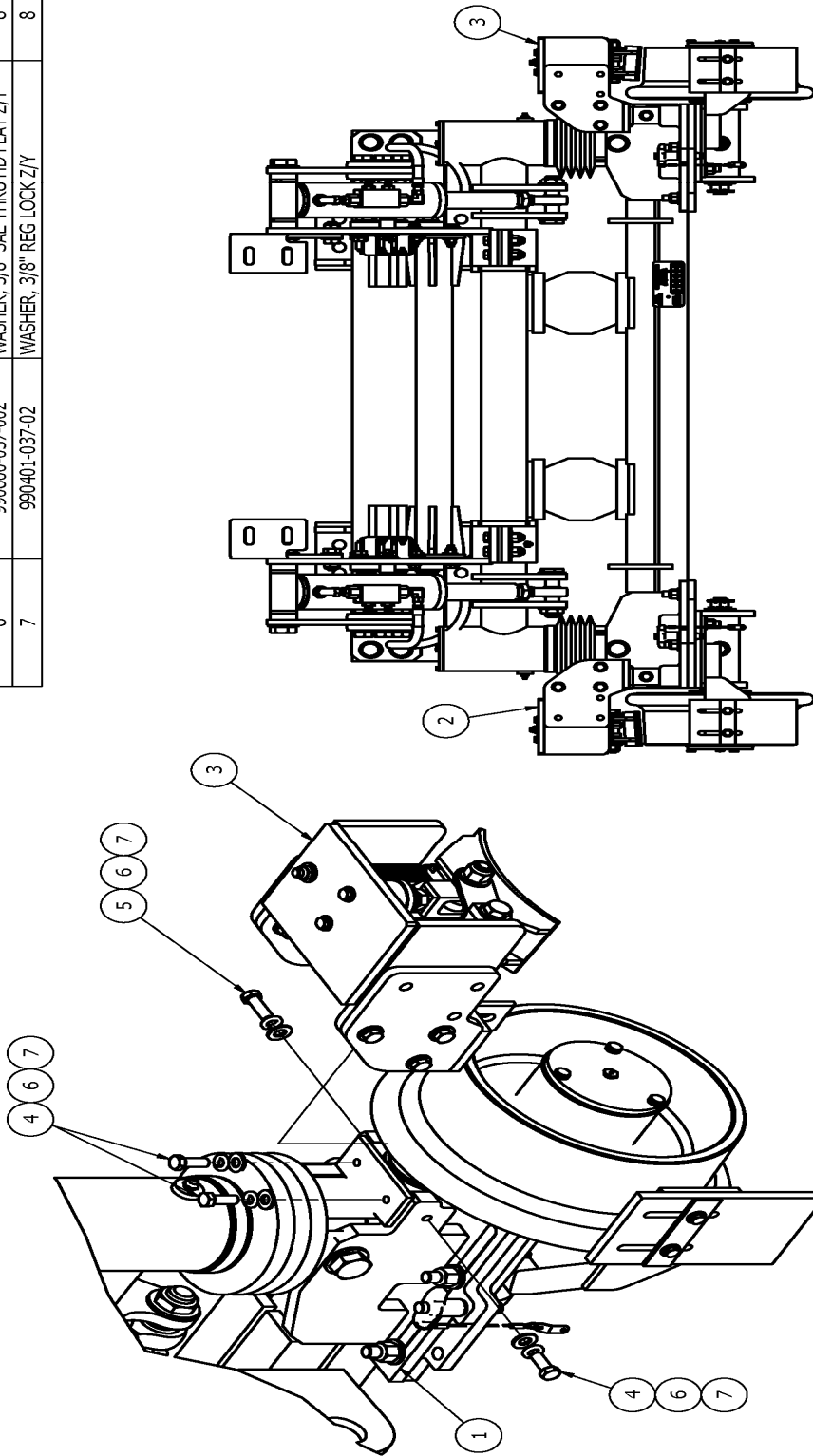


Figure 1: Brake Mounting Installation

REVISION	DATE	BY	APPROVED	ECN #
A	10/12/20	SMM	JMP	

DRAWN	CHECKED	APPROVED	SHEET/DRAWING NUMBER	PART NUMBER	REVISION
SMM	JMP	JMP	1	K-B49RFX20507	A

G & B SPECIALTIES INC.
 MANUFACTURER OF QUALITY RAILROAD PRODUCTS
 BERWICK, PENNSYLVANIA 670 752-5901, FAX 670 752-6397
 DESIGN - ENGINEERING - MANUFACTURING
 G & B SPECIALTIES IS THE OWNER OF THIS DOCUMENT AND ITS CONTENTS AND IS RESPONSIBLE TO BE CONSIDERED IN RESPECT TO THIS DOCUMENT. ANY REVISIONS TO THIS DOCUMENT SHALL BE APPROVED BY THE DESIGN ENGINEER PRIOR TO THE CONSENT OF G & B SPECIALTIES INC.

FRONT ADJ HYD. BRAKE KIT (TROLLEY)

ALL WELDS TO CONFORM TO AWS D1.1

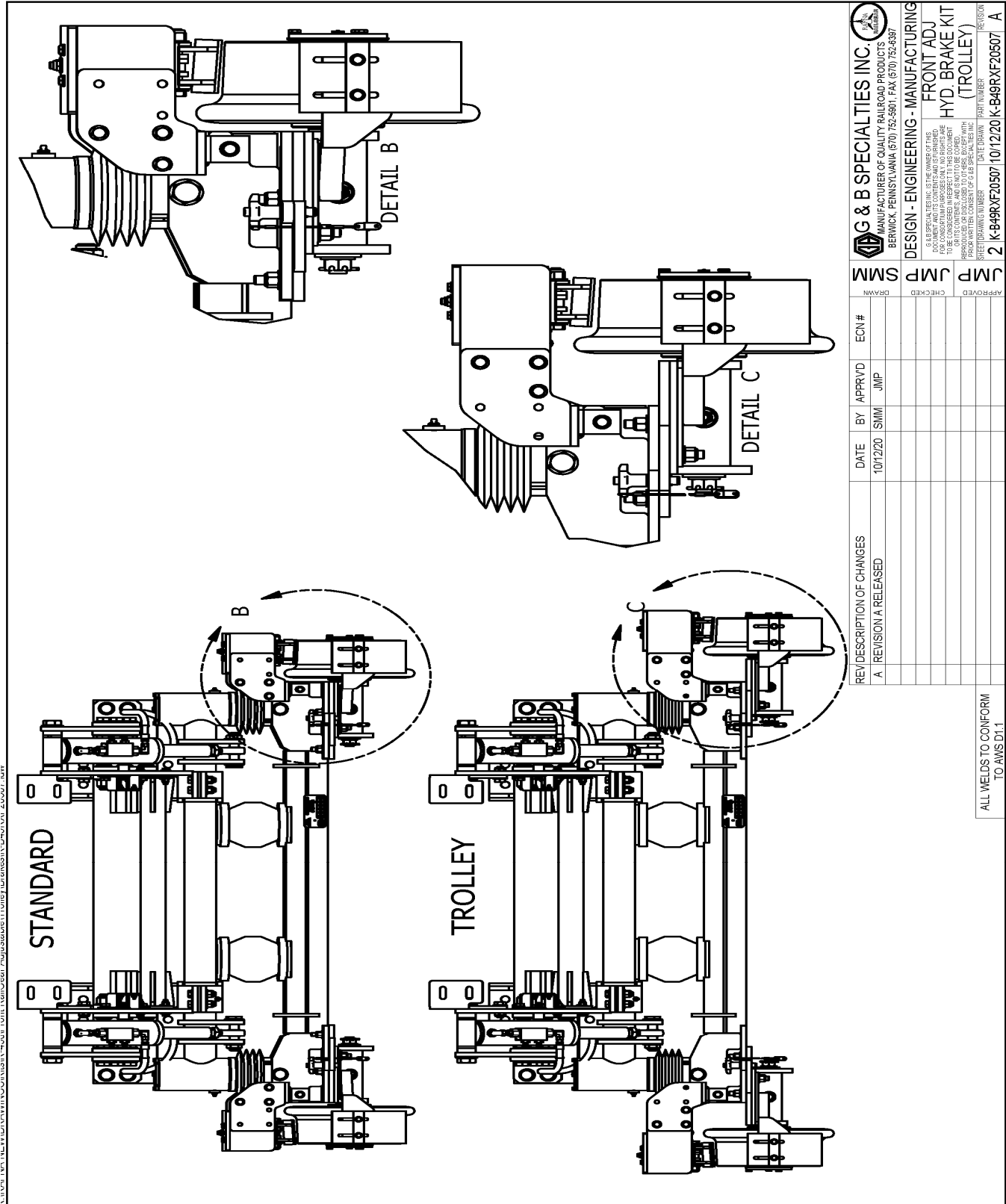


Figure 2: Brake Adjustment

G&B Specialties Inc. 535 West 3rd Street, Berwick, PA, USA Tel: (570) 752-5901 Fax: (570) 752-6397
US Field Service: 570-441-6988; CAN Field Service 570-854-0482; www.rafna.com

G & B SPECIALTIES INC. MANUFACTURER OF QUALITY RAILROAD PRODUCTS BERWICK, PENNSYLVANIA (570) 752-5901, FAX (570) 752-6397	DESIGN - ENGINEERING - MANUFACTURING	
	FRONT ADJ HYD. BRAKE KIT (TROLLEY)	
ALL RIGHTS RESERVED THIS DRAWING IS THE PROPERTY OF G&B SPECIALTIES INC. IT IS A SPECIALTY ITEM IN THE OWNER'S OF THIS DRAWING. IT IS TO BE USED ONLY FOR THE PURPOSES FOR WHICH IT WAS DESIGNED AND TO BE CONSIDERED IN RESPECT TO THIS DOCUMENT AS A REFERENCE ONLY. IT IS NOT TO BE REPRODUCED OR USED IN ANY MANNER WITHOUT THE WRITTEN PERMISSION OF G&B SPECIALTIES INC.	APPROVED JUMP	CHECKED JUMP
REV/DESCRIPTION OF CHANGES A REVISION A RELEASED	DATE 10/12/20	BY SMMI JUMP
ECN #	APPROVD	JUMP
SMM	SMM	SMM
2	K-B49RXF20507	10/12/20
K-B49RXF20507	A	A

ALL WELDS TO CONFORM
TO AWS D1.1

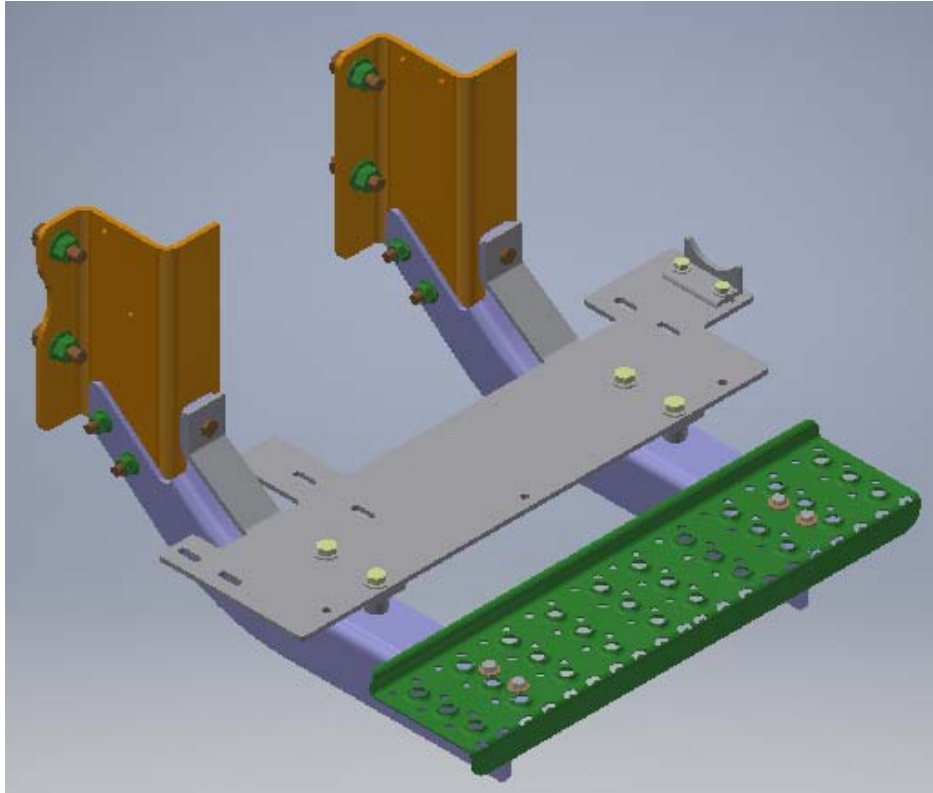


Figure 3: Brake Support Bracket

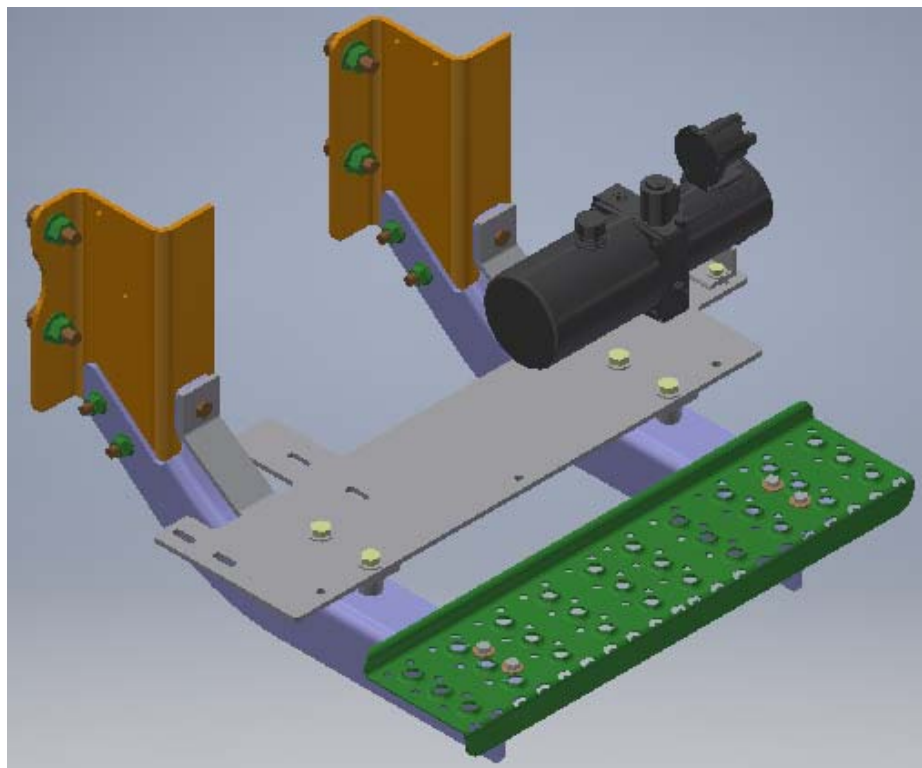


Figure 6: Brake Pump Installation

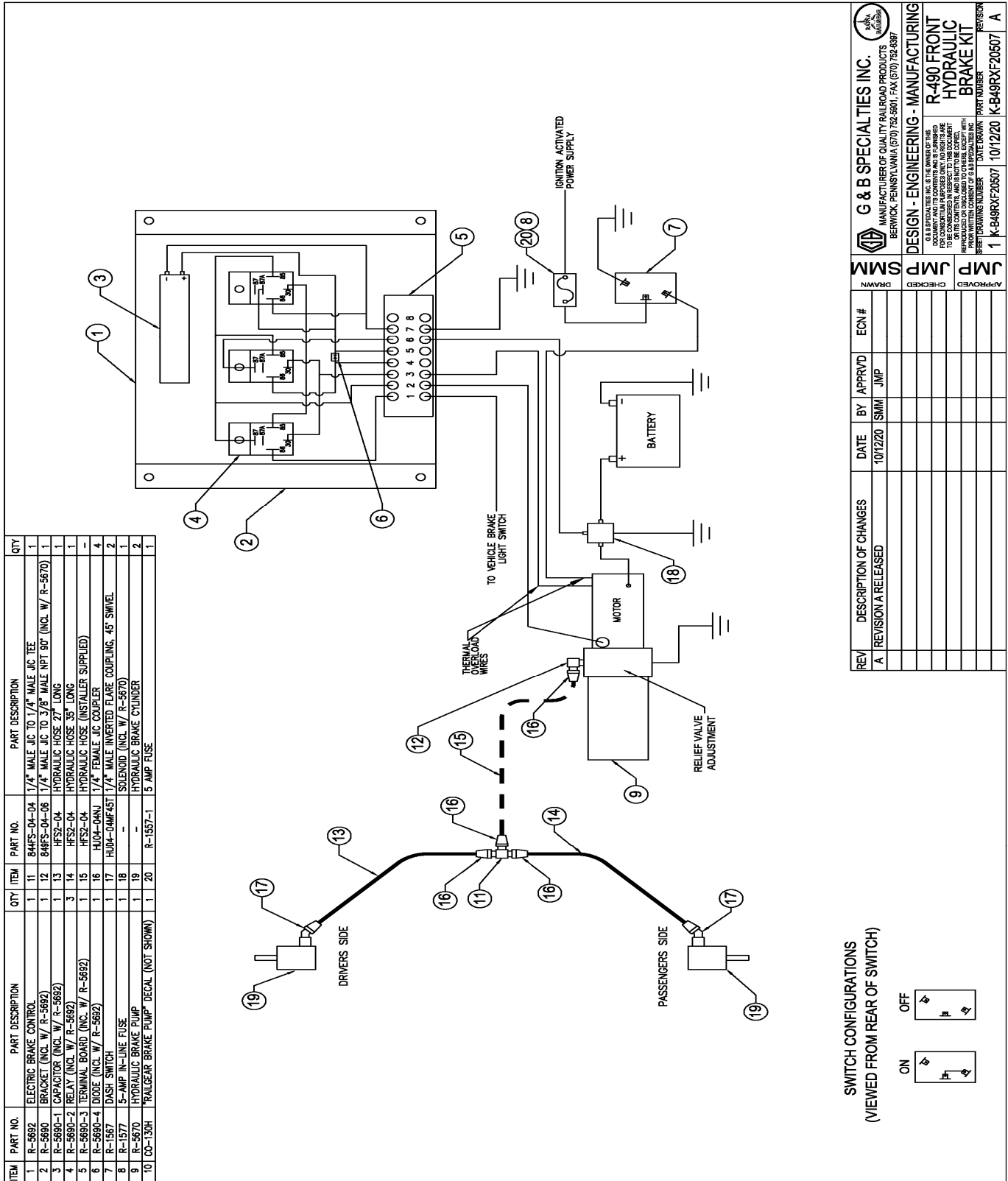


Figure 5: Brake Pump Hydraulic/Wiring Schematic



Photo 1: Hydraulic Pump and Brake Pump Installed

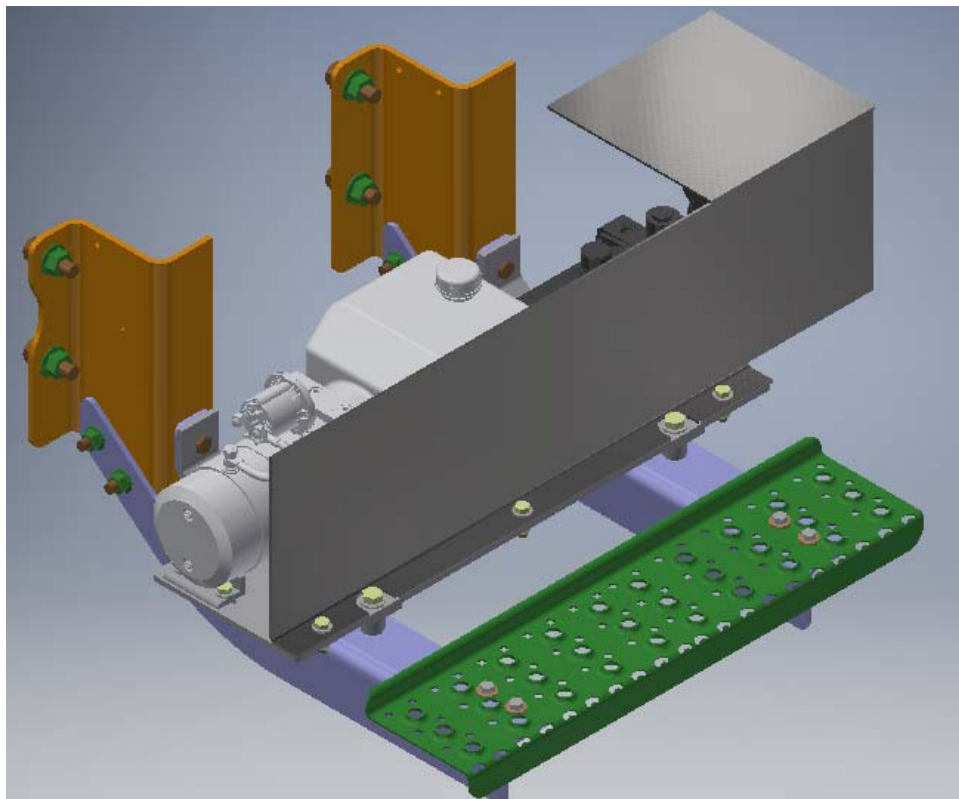


Figure 7: Pump Protection Box Installed

OPERATION & SERVICE OF FRONT ADJUSTABLE HYDRAULIC BRAKE KIT

SAFETY PRECAUTIONS

If any operating, service or parts problems are encountered, please call G&B Specialties, Inc. for technical assistance.



- Failure to heed to any of the following warnings could result in severe bodily injury and/or equipment damage.
- Read and understand this manual completely before attempting operation of the railgear-equipped vehicle.
- Operating instructions provided below only address the Rafna railgear equipment. Applicable railway company procedures and policies must be adhered to.
- Railway company rules governing rail travel must always be observed.
- Before performing any work under the vehicle or railgear, ensure the engine is turned off and the parking brake is set.
- Ensure all body parts and loose clothing are clear of any moving parts of the railgear. Be aware of all pinch points.
- Despite the added braking power provided by the railgear air brakes, braking distance while on rail is greater than when on road.
- Never operate the vehicle if the Gross Vehicle Weight Rating (GVWR), Gross Axle Weight Rating Front or Rear (GAWR), or the wheel or tire load ratings are exceeded.
- Do not use regular brake fluid in the front hydraulic brake system, as it will damage the hydraulic brake pump and the brake cylinders.

OPERATION OF FRONT HYDRAULIC BRAKE KIT

With the front hydraulic brake kit installed on this vehicle, it may be operated as normal, however the hydraulic brake pump must be turned "Off" during road travel and "On" during rail travel. The front hydraulic brake kit provides additional braking power when on rail. Braking distance on rail is much greater than when on road and will be adversely affected by inclement weather.

A dash switch is provided to turn off the power to the hydraulic brake pump, which prevents the railgear brakes from functioning during road travel. When traveling on rail, with the dash switch in the "On" position, the railgear hydraulic brakes act together with the vehicle's brakes to provide added braking power through the rail wheels.

To Operate The Vehicle On Rail:

1. Turn the "Railgear Brake Pump" dash switch to the "On" position.
2. Proceed with rail travel. The railgear hydraulic brakes will function with the vehicle brakes when the vehicle brake pedal is depressed.

To Operate The Vehicle On Road:

1. Turn the "Railgear Brake Pump" dash switch to the "Off" position.
2. Proceed with road travel. The railgear hydraulic brakes will remain in-active.

SERVICE OF FRONT HYDRAULIC BRAKE KIT

The Recommended Service Schedule and the detailed service procedures follow.

Do not torque the 1/2" fasteners that pass through the brake shoe linkage. These fasteners must remain slightly loose to allow the hydraulic brakes to function freely.

Table 1: Recommended Service Schedule

Service Required	Initial 100 km (62 Miles) of road and/or rail use	Monthly	6 Months	Yearly
Inspect hydraulic brake kit fasteners (re-torque if required)	✓		✓	✓
Inspect all hydraulic fittings and hoses for leaks and wear	✓		✓	✓
Check oil in hydraulic reservoir (fill if required)	✓	✓		✓
Check / adjust brake shoe to rail wheel clearance (see procedure)	✓		✓	✓

Table 2: Standard Fastener Torque Values

Fastener Size	Fastener Torque Value (ft-lbs) Dry
1" UNC Gr. 8 Fasteners	250
3/4" UNC Gr. 8 Fasteners	175
5/8" UNC Gr. 8 Fasteners	150
1/2" UNC Gr. 8 Fasteners	100
3/8" UNC Gr. 8 Fasteners	40
1/4" UNC Gr. 8 Fasteners	12

BRAKE SHOE TO RAIL WHEEL CLEARANCE ADJUSTMENT

The clearance between the brake shoe and the rail wheel must be correctly adjusted to prevent brake drag and to ensure proper braking ability.

1. With the hydraulic brake dash switch turned "Off" and the railgear hydraulic brakes in the retracted position, visually inspect the railgear hydraulic brake components for excessive damage and/or wear and measure the brake shoe to rail wheel clearance.

Acceptable Brake Shoe To Rail Wheel Clearance	1/8" - 1/4"
---	-------------

2. If the brake shoe to rail wheel clearance is not within specifications, adjust as follows:
 - Loosen the jam nut above the clevis on the clevis push rod.
 - Turn the clevis push rod to adjust the clevis up to increase the clearance or down to decrease the clearance.
 - When moving the clevis down on the clevis push rod, do not move the clevis down beyond the point at which the inside bottom face of the clevis is flush with the end of the push rod. Replace the brake shoe and re-adjust.
 - Tighten the jam nut above the clevis on the clevis push rod.
3. Re-check the brake shoe to rail wheel clearance and re-adjust as necessary.

HYDRAULIC BRAKE RELIEF VALVE SETTING

The hydraulic brake pump is equipped with one relief valve located on the hydraulic pump body. This relief valve protects the entire hydraulic brake system from over pressurization. The relief valve will require adjustment at installation and if ever there appears to be inadequate hydraulic pressure to operate the hydraulic brakes or if the rail wheels are found to skid when the brakes are applied.

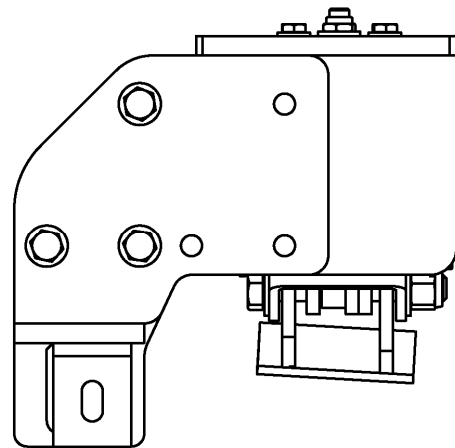
1. Disconnect the hydraulic hose from the pump.
2. Install a hydraulic pressure gauge (up to 3000 PSI) between the disconnected hydraulic hose and the pump port. The pressure gauge will indicate the relief valve setting when the pump is loaded.
3. Turn the "Railgear Brake Pump" dash switch to the "On" position and depress the vehicle brake pedal so that activating the brakes creates a load on the pump. The pressure reading on the pressure gauge should climb to 700 PSI.
4. If the pressure is not correct, release the brake pedal and adjust the relief valve on the pump accordingly. Loosen the lock nut and turn the setscrew in to increase the pressure or out to decrease the pressure. Re-check the pressure.
5. Once the correct pressure on the pump relief valve is obtained, ensure that the lock nut on the relief valve is tightened. Release the pressure in the system and remove the pressure gauge. Re-connect the hydraulic hose.

6. Ensure that the hydraulic hoses are connected properly and that the hydraulic brakes are functioning properly.

HYDRAULIC BRAKE GAGE ADJUSTMENT

The hydraulic brakes are capable of being adjusted from Standard Gage to Trolley Gage. The gage of the brakes will depend on what gage the rail wheels are set to. If the adjusting plates on the wheels sit relatively flush with the ends of the axle, the railgear is setup for Standard Gage. If the adjusting plates stick out past the ends of the axle, the railgear is setup for Trolley Gage. **NOTE:** Brakes will come set to Standard Gage from factory. To go from one gage to another, please see steps below:

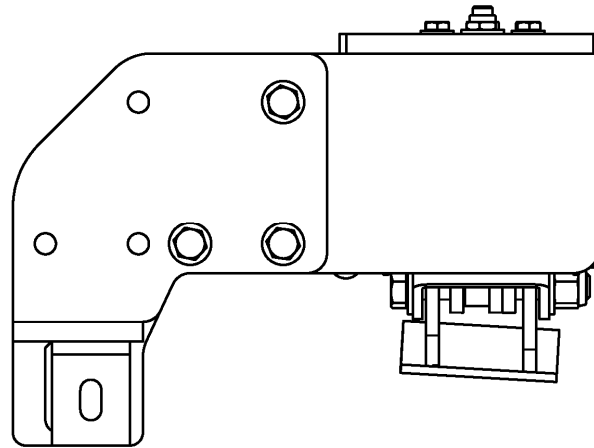
1. Determine if the railgear is currently setup for Standard Gage or Trolley Gage.
2. On each side of the brake bracket there are three 3/8" x 1 1/4" bolts fastening the brake arm to the bracket. Remove these bolts.
3. To go to Trolley Gage, pull the brake arm out and align the further most outside holes with the inside holes on the brake arm. To go to Standard Gage, push the brake arm in and align the rear holes on the brake bracket with the inside holes on the brake arm.
4. Re-install the 3/8" hardware. Check condition of lock washers and replace if necessary.
5. Repeat process for opposite side.
6. Ensure brake hoses do not contact any sharp areas/surfaces and will not be pinched in operation of the railgear.
7. Test brakes for proper brake function.



STANDARD GAGE

NOTES

1. DRIVER SIDE BRAKE ASSEMBLY SHOWN,
PASSENGER SIDE OPERATES THE SAME.

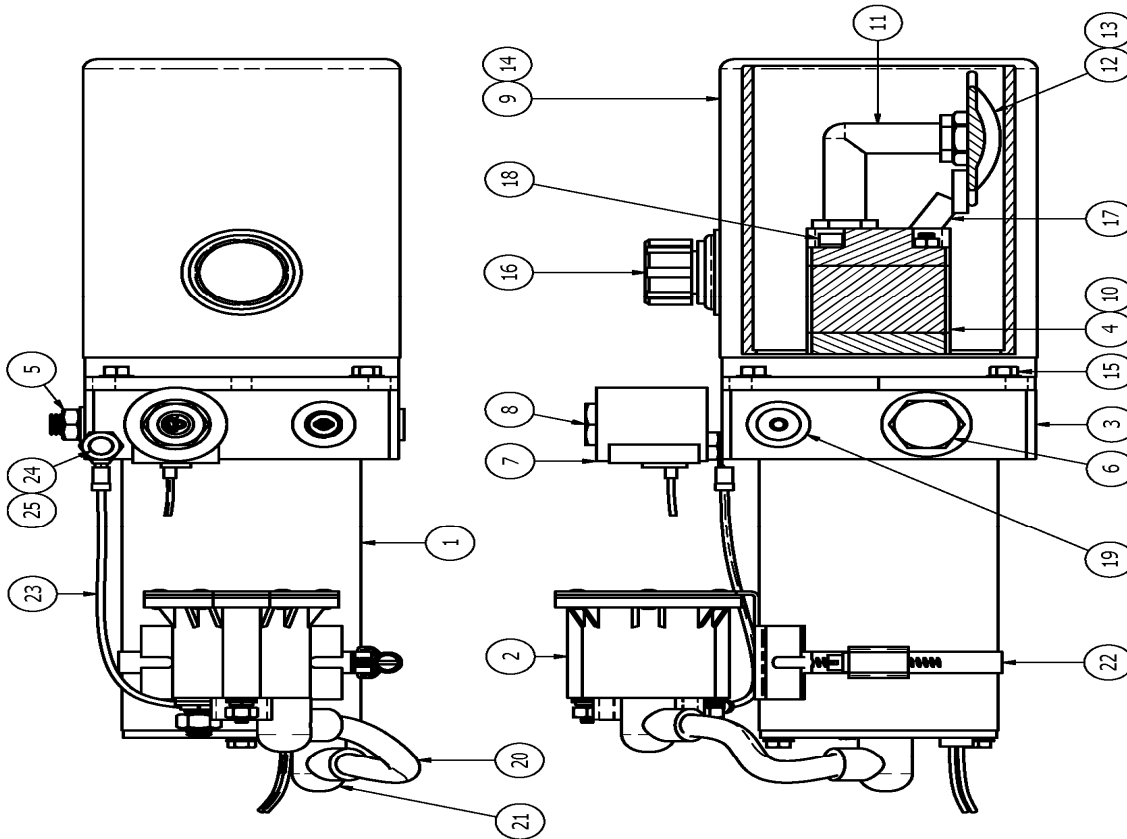


TROLLEY GAGE

Figure 8: Standard Vs. Trolley Gage

BRAKE REPLACEMENT PARTS

PARTS LIST			
ITEM	PART NUMBER	DESCRIPTION	QTY
1	S-309600	MOTOR	1
2	S-309601	SOLENOID	1
3	S-309682	BODY VALVE BLOCK	1
4	S-309642	PUMP	1
5	S-309606	RELIEF	1
6	S-309683	CHECK VALVE (INTERNAL)	1
7	S-309643	2 WAY, 2 POSITION VALVE	1
8	S-309632	COIL	1
9	S-309608	TANK	1
10	S-309644	COUPLING	1
11	S-309645	SUCTION OIL PIPE	1
12	S-309646	FILTER	1
13	S-309612	MAGNET	1
14	S-309613	O-RING	1
15	S-309615	HEX FLANGE SCREW	4
16	S-309661	RESPIRATOR ASSEMBLY	1
17	S-309617	OIL RETURN PIPE	1
18	S-309647	HEX SOCKET BOLT ASSEMBLY	2
19	S-309620	IRON PLUG	1
20	S-309623	CABLE	1
21	S-309624	INSULATION COVER (RED)	2
22	S-309625	HOOP	1
23	S-309626	WHITE CABLE ASSEMBLY	1
24	S-309684	GROUND BOLT	1
25	S-309648	NUT	1



REV/DESCRIPTION OF CHANGES

A	REVISION A RELEASED	DATE	03/19/20	BY	SDB	APPRVD	SDB	ECN #	
B	UPDATED PART NUMBERS	DATE	07/14/20	BY	SMMI	APPRVD	SMMI	ECN #	

NOTES:

- SEE SHEET 2 FOR HYDRAULIC SCHEMATIC
- TO BE USED WITH BAILEY PUMPS ONLY

G&B SPECIALTIES INC.
 MANUFACTURER OF QUALITY RAILROAD PRODUCTS
 BERWICK, PENNSYLVANIA (717) 752-5901 FAX (717) 752-6387

DESIGN - ENGINEERING - MANUFACTURING

BAILEY R-5670
 HYDRAULIC PUMP
 PARTS BREAKDOWN
 SHEET DRAWING NUMBER: 03/19/20R-5670

1 R5670

ALL WELDS TO CONFORM TO AWS D1.1

Figure 9: R-5670 Brake Pump

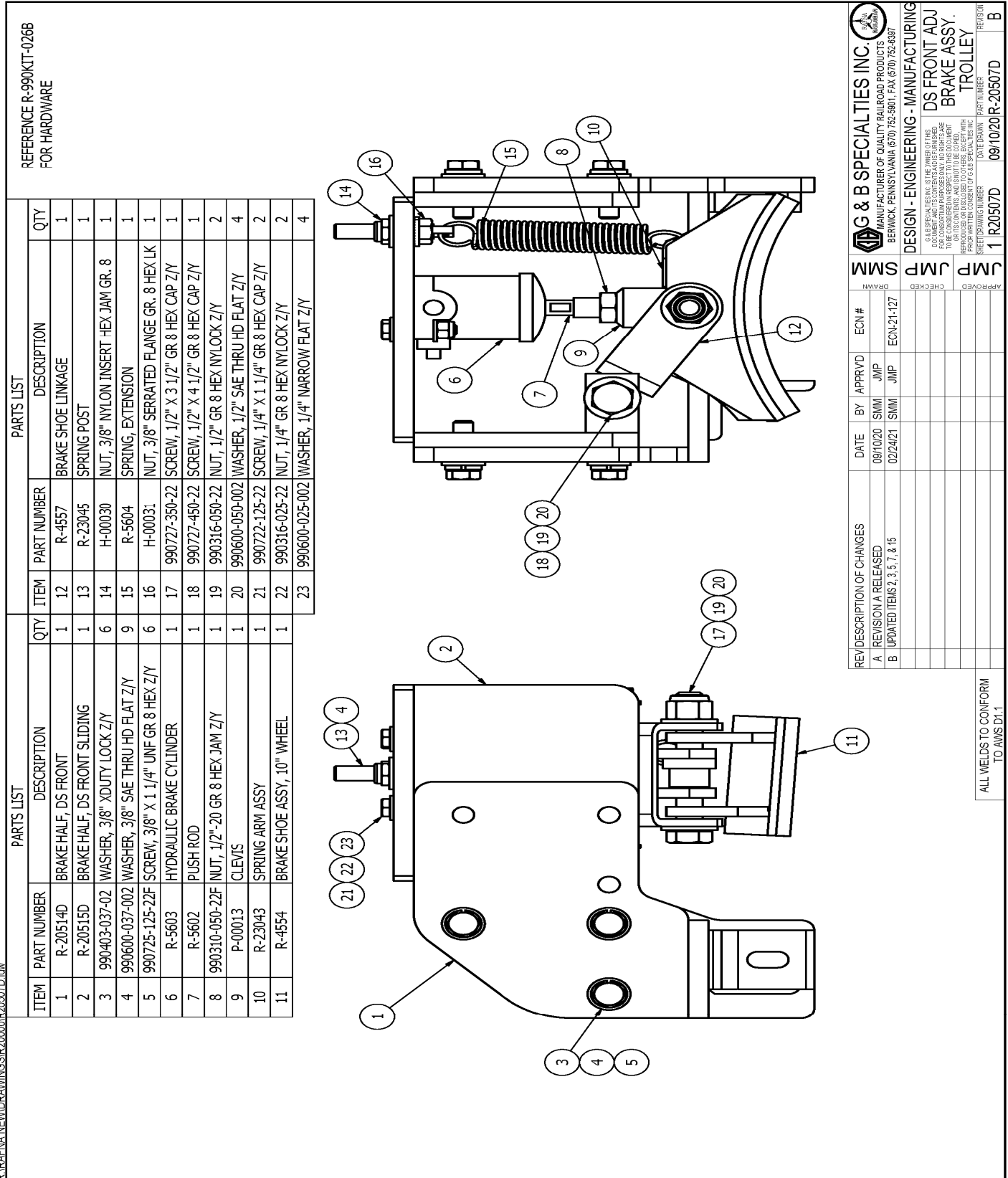


Figure 10: R-20507D

G & B SPECIALTIES INC.
 MANUFACTURER OF QUALITY RAILROAD PRODUCTS
 BERWICK, PENNSYLVANIA (717) 752-5901 FAX (717) 752-6397

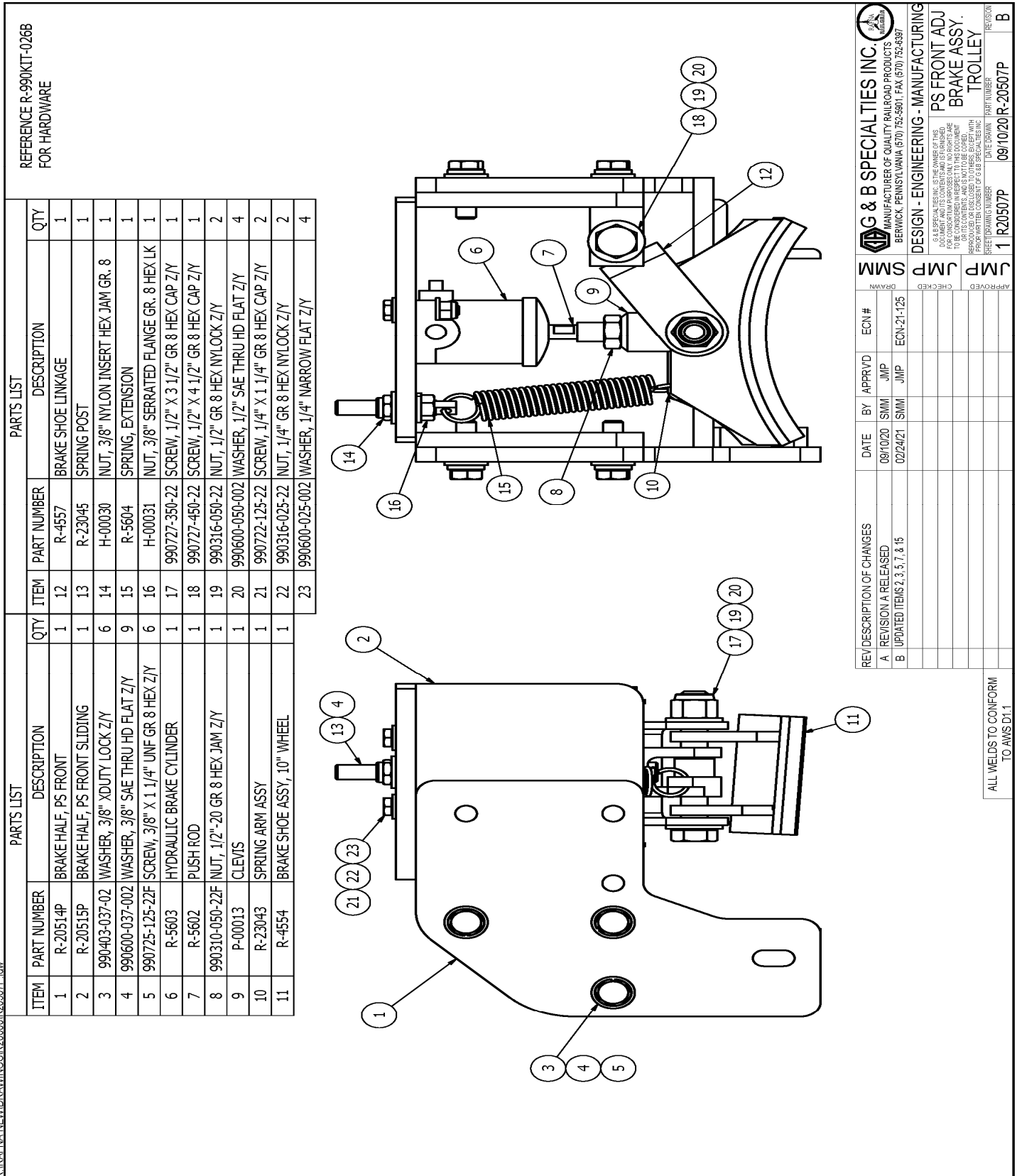
DESIGN - ENGINEERING - MANUFACTURING

G & B SPECIALTIES INC. IS THE OWNER OF THIS DOCUMENT AND ITS CONTENTS ARE UNCLASSIFIED. IT IS TO BE CONSIDERED UNCLASSIFIED IN ALL FORMS AND MEDIA. IT IS THE PROPERTY OF G & B SPECIALTIES INC. AND IS NOT TO BE REPRODUCED OR TRANSMITTED IN ANY FORM OR BY ANY MEANS, ELECTRONIC OR MECHANICAL, INCLUDING PHOTOCOPYING, RECORDING, OR BY ANY INFORMATION STORAGE AND RETRIEVAL SYSTEM, WITHOUT THE WRITTEN CONSENT OF G & B SPECIALTIES INC.

REV/DESCRIPTION OF CHANGES	DATE	BY	APPROVD	ECN #
A REVISION A RELEASED	09/10/20	SMMI	JMP	ECN-21-127
B UPDATED ITEMS 2, 3, 5, 7, & 15	02/24/21	SMMI	JMP	

APPROVED	CHECKED	DATE DRAWN	PART NUMBER	REVISION
JMP	JMP	09/10/20	R-20507D	B

ALL WELDS TO CONFORM TO AWS D1.1



REV/DESCRIPTION OF CHANGES	DATE	BY	APPRVD	ECN #
A REVISION A RELEASED	09/10/20	SMM	JMP	ECN-21-125
B UPDATED ITEMS 2, 3, 7, & 18	02/24/21	SMM	JMP	

APPROVED	CHECKED	DATE DRAWN	PART NUMBER	REV/ISSN
JMP	JMP	09/10/20	R-20507P	B

G & B SPECIALTIES INC. MANUFACTURER OF QUALITY RAILROAD PRODUCTS BERWICK, PENNSYLVANIA, (570) 752-5901; FAX (570) 752-6397	DESIGN - ENGINEERING - MANUFACTURING
PS FRONT ADJ BRAKE ASSY. TROLLEY	