



OPERATION, SERVICE AND PARTS OF FRONT MOUNTING KIT

SAFETY PRECAUTIONS

If any operating, service or parts problems are encountered, please call G&B Specialties, Inc. for technical assistance.



- Failure to heed to any of the following warnings could result in severe bodily injury and/or equipment damage.
- Read and understand this manual completely before attempting operation of the railgear equipped vehicle.
- Operating instructions provided below only address the Rafna Industries railgear equipment. Applicable railway company procedures and policies must be adhered to.
- Railway company rules governing rail travel must be observed at all times.
- Before performing any work under the vehicle or railgear, ensure the engine is turned off and the parking brake is set.
- Never operate the vehicle if the Gross Vehicle Weight Rating (GVWR), Gross Axle Weight Rating Front or Rear (GAWR), or the wheel or tire load ratings are exceeded.



OPERATION OF FRONT MOUNTING KIT

With the front mounting kit installed on this vehicle, it may be operated as normal, however the front bumper is located further forward than standard. Side wands are located on the front bumper to aid in determining the length and width of the vehicle. Caution must be used when operating the vehicle.

Never operate the vehicle if the Gross Vehicle Weight Rating (GVWR), Gross Axle Weight Rating Front or Rear (GAWR), or the wheel or tire load ratings are exceeded.

SERVICE OF FRONT MOUNTING KIT

The front mounting kit must be serviced regularly to avoid damage to the equipment. Table 1 below provides the Recommended Service Schedule and Table 2 provides Standard Fastener Torque Values.

Table 1: Recommended Service Schedule

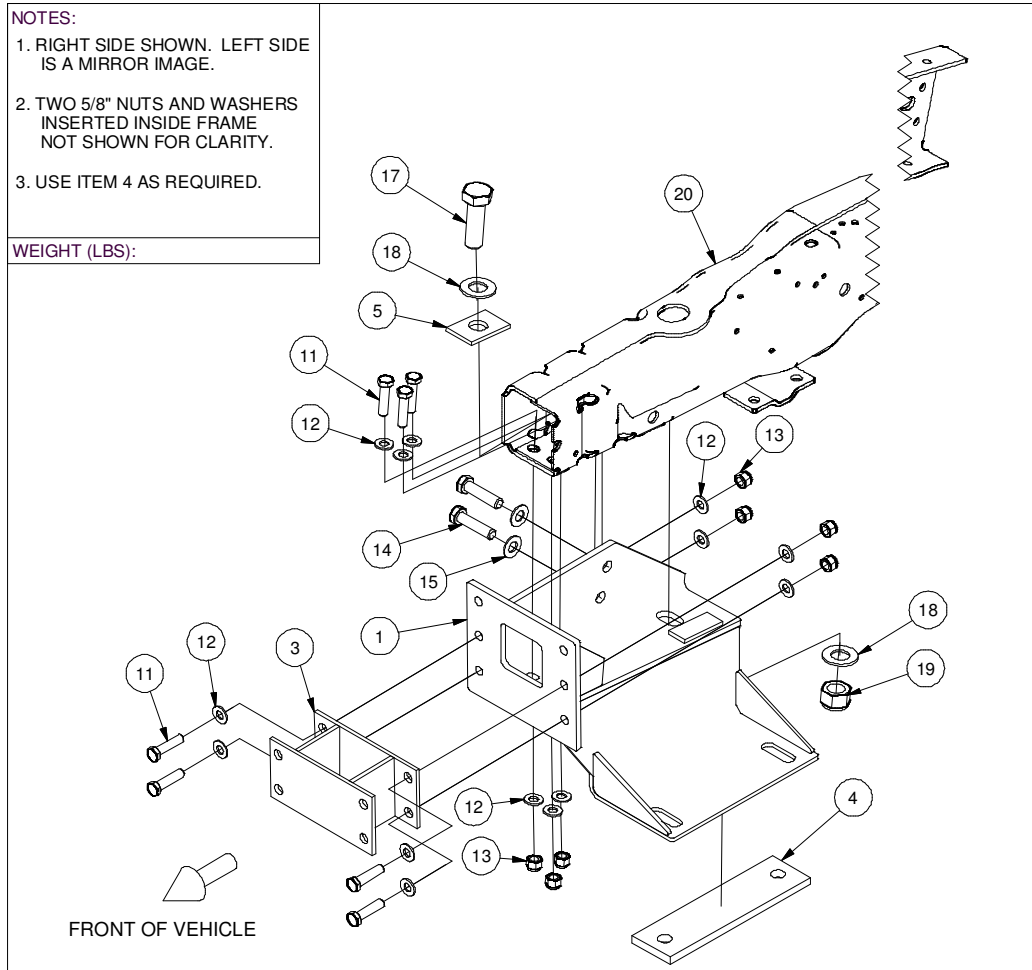
Service Required	Initial 100 km (62 Miles) of road and/or rail use	Daily	Weekly	Monthly
Inspect front mounting kit fasteners (re-torque if required)		✓	✓	✓

Table 2: Standard Fastener Torque Values

Fastener Size	Fastener Torque Value (ft-lbs) Dry
1" UNC Gr. 8 Fasteners	250
3/4" UNC Gr. 8 Fasteners	175
5/8" UNC Gr. 8 Fasteners	150
1/2" UNC Gr. 8 Fasteners	100
3/8" UNC Gr. 8 Fasteners	40
1/4" UNC Gr. 8 Fasteners	12



PARTS OF FRONT MOUNTING KIT



ITEM	PART No.	DESCRIPTION	QTY
1	R-2989R	FRONT MOUNTING PLATE - RIGHT SIDE	1
2	R-2989L	FRONT MOUNTING PLATE - LEFT SIDE (NOT SHOWN)	1
3	R-2957	FRONT BUMPER EXTENSION	2
4	R-2960	RAILGEAR MOUNTING SHIM (1/2" THICK)	4
5	R-2956	FRAME WASHER	2
6	R-051	SIDE WAND SET W/ FASTENERS (NOT SHOWN)	1
7	R-2848A	POWER STEERING COOLING BRACKET (NOT SHOWN)	2
8	-	1/4" UNC GR. 8 BOLT X 1" LONG (NOT SHOWN)	2
9	-	1/4" SAE WASHER (NOT SHOWN)	4
10	-	1/4" UNC GR. 8 NYLOCK NUT (NOT SHOWN)	2
11	-	1/2" UNC GR. 8 BOLT X 2" LONG	14
12	-	1/2" GR. 8 WASHER	28
13	-	1/2" UNC GR. 8 NYLOCK NUT	14
14	-	5/8" UNC GR. 8 BOLT X 2.5" LONG	4
15	-	5/8" GR. 8 WASHER	8
16	-	5/8" UNC GR. 8 NYLOCK NUT	4
17	-	1" UNC GR. 8 BOLT X 3" LONG	2
18	-	1" GR. 8 WASHER	4
19	-	1" UNC GR. 8 NYLOCK NUT	2
20	-	VEHICLE FRAME	N/A

1	CHANGED SIDE FASTENERS TO 5/8"	LE	MAR/09/05
Rev	CHANGE	BY	DATE
RAFNA INDUSTRIES LTD			
A Global Railway Industries Company 19300 Clark-Graham, Baie d'Urfe, Quebec Tel: (514) 457-4373 Fax: (514) 457-3567			
DESCRIPTION: FRONT MOUNTING KIT			
TOLERANCE (UNLESS SPECIFIED): 3 DECIMAL PLACES ±0.016" 2 DECIMAL PLACES ±0.031" 1 DECIMAL PLACE ±0.063" ANGULAR DIMENSIONS ±1°		APPR: DATE: DRAWN: DATE: MER OCT/08/04	
ALL DIMENSIONS SHEET: ARE IN INCHES 1 OF 1		PART NUMBER: REV: K-M29RXFF004 1	